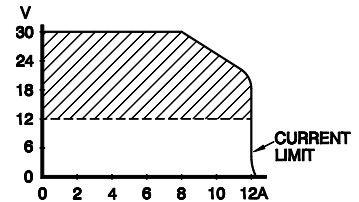




240S - Series 240 W DC POWER SUPPLIES

Model	Voltage range	Current range
240 S 24	12 - 15 V	12 A
	24 V	10 A
	30 V	8 A

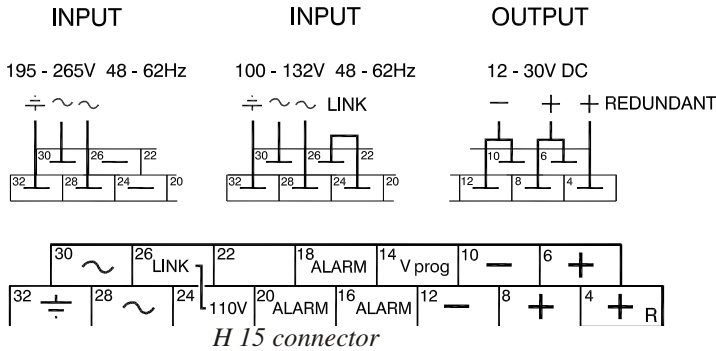


Output	: Adjustable 12 - 30 V with a screwdriver or analog programmable by 2 - 5 V. Factory set at 24 V.
Input	: AC 195 - 265 V 48 - 62 Hz 1.8 Arms 100 - 132 V 48 - 62 Hz 3.2 Arms For DC or operation at 400 Hz contact factory Fuse 4 A T at 230 V, 6.3 A T at 110 V
Safety	: EN 60950 EN 61010 SELV / PELV
EMC:	EN 61204-3 Low Voltage DC Power Supplies EN 61000-6-3 (EN 55022B) Generic Emissions EN 61000-6-2 Generic Immunity
Efficiency	: 87% at 240 W output (max. heat dissipation 36 W)
Regulation	
Load 0 - 100%	: 50 mV (10 mV when using sense points)
Line 198 - 265 V AC	: 10 mV
Ripple + noise	: 5 mVrms, 15 mV p-p
Temp. coefficient	: $5 \cdot 10^{-5}$ per °C
Stability during 8 hrs	: $3 \cdot 10^{-4}$ (after 1 hr warm up)
Output impedance	: 0.1 Ohm up to 100 kHz
Recovery time	: 200 μ s after 50 - 100% load step
Insulation	
Input / output	: 3750 Vrms (1 min.)
Input / case	: 2500 Vrms (1 min.)
Output / case	: 500 V DC
Hold-up time	: 20 ms (24 V / 10 A, 230 V AC input)
Ambient temperature	
Operating	: -10 to +50 °C. Above 50 °C derate current linearly to 20% at 80 °C.
Storage	: -40 to +85 °C.
Series operation	: Up to 500 V total voltage
Parallel operation	: At 90% of max. current (Internal current limit switch at low). The extra positive output terminal, via a built-in Schottky diode, separates the output circuits when units are operated in parallel.
Alarm circuit	: A relay contact changes over when the output drops 10% below the set value. Gold contact, rating max. 100 mA / 30 V.
Current limit	: Constant power limit from 30 to 22 V, constant current below 22 V. Current limit protects against continuous overload and short circuit.
OVL	: Limits the maximum output voltage at about 33 V.
MTBF	: 1 000 000 hrs
Dimensions and weight	: Height 240 mm Width 71 mm Depth 156 mm Weight 2.0 kg

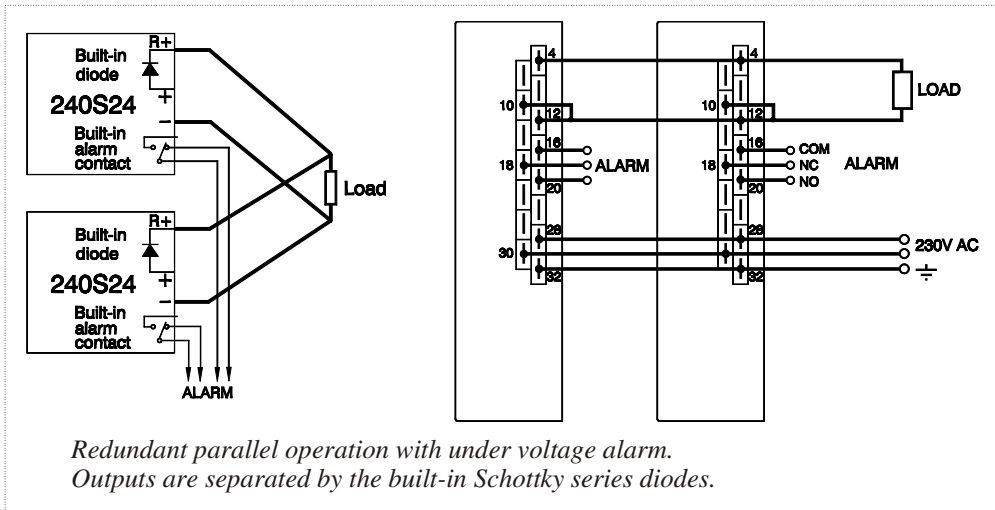


Euro Cassette 6 HE high, 14 TE wide (front panel 16 TE). Is supplied incl. H15 mating connector (faston version), CL15 and 2 pcs H155.

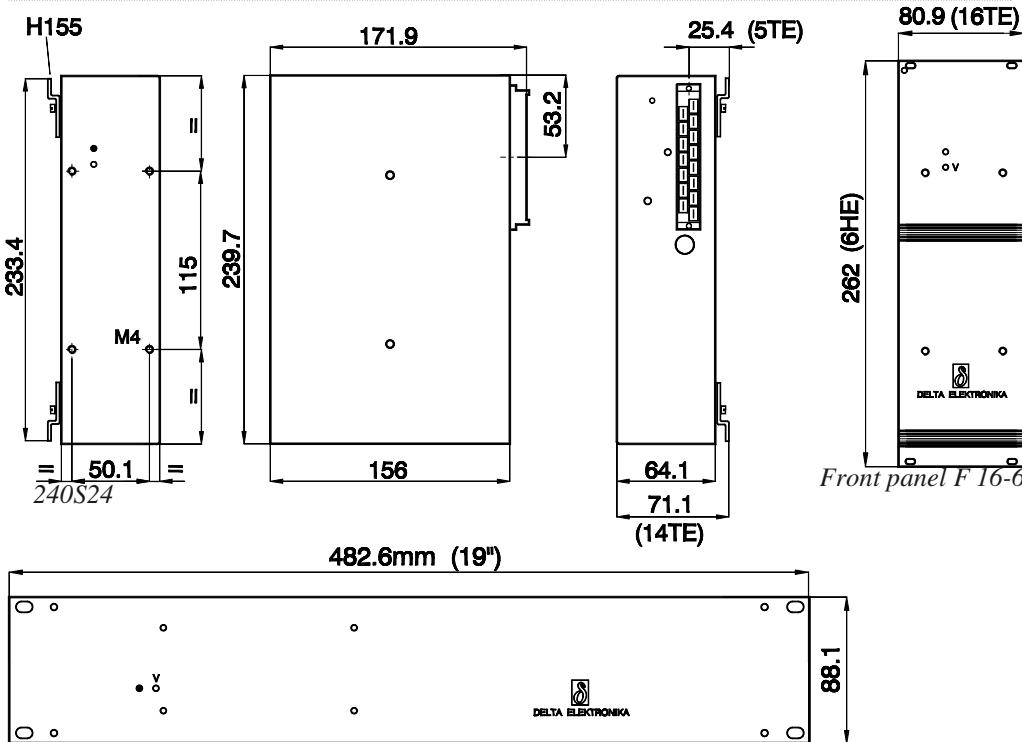
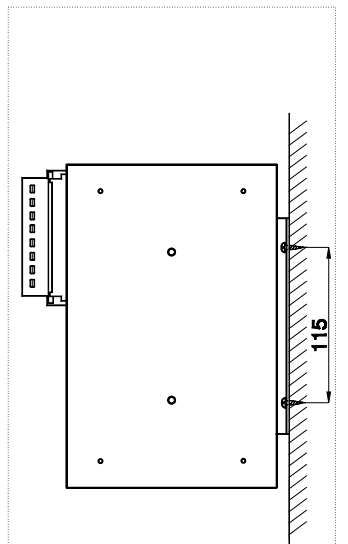
- Mounting :The 240S24 should be mounted vertically for optimal cooling. When mounted horizontally, put internal current limit switch at low and keep the ambient temp. below 40 °C.
- Remote sensing :The sense points (pin 8 and 10) are internally connected to + and - output (pin 6 and pin 12), but these links can be removed when remote sensing is required. The voltage drop across the leads plus the load can never exceed the supply maximum output rating. For example at 24 V 8 A it is possible to compensate 6 V (3 V per lead) because the unit can supply max. 30 V 8 A.
- Remote progr. :2 - 5 V between pin 14 and 10 gives 12 - 30 V output (internal switch in position P). Programming input is not isolated (connected to - output).
- Voltage adj. with external potmeter :Is possible if an internal link and a resistor are removed.



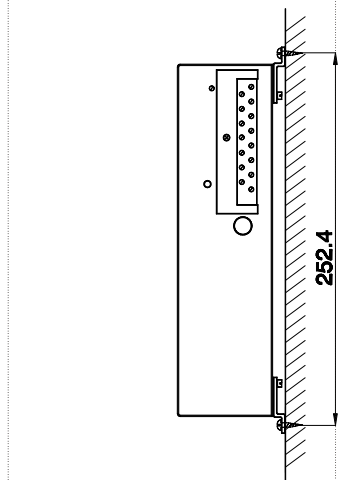
240S24 with bench adapter BA 150



Redundant parallel operation with under voltage alarm. Outputs are separated by the built-in Schottky series diodes.



Front panel F 19/2 for horizontal 19" rack mounting of one unit



Two ways of vertical wall mounting. Mating connector (H15 with faston or screw connections) can be fixed with supplied clamp.