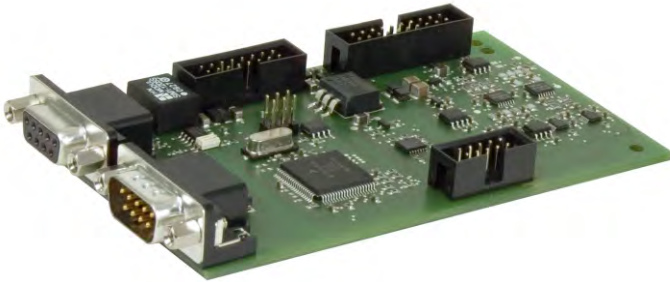




Field Bus Interfaces



PSC-CAN card



PSC-PB card



PSC-CAN - CANopen Power Supply Controller

Interface between CANopen Bus System and Power Supply



- CANopen standard
- Up to 1Mbit/s communication, baud rate dip switch selectable

PSC-PB - PROFIBUS Power Supply Controller

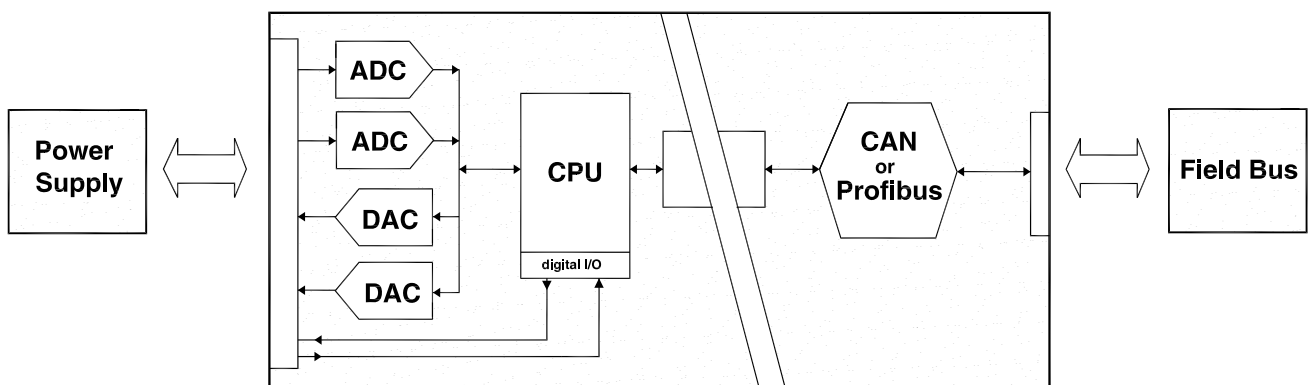
Interface between PROFIBUS DP Bus System and a Power Supply



- PROFIBUS DP V0 Standard
- Up to 12 Mbit/s PROFIBUS DP communication

Features

- Node address setting selectable
- 600 V galvanic isolation
- Read back of power supply status signals
- Voltage and current programming and monitoring
- Factory installed
- 14-bit resolution for voltage and current setting and read back
- Setting the power supply in Shut Down mode
- Programming and monitoring accuracy < 0.1 %



Output voltage and current setting and read back

- 14 bit resolution for setting the output voltage and current
- 14 bit resolution for read back (monitoring) of the output voltage and current
- Tc typical 15 ppm/K
- Full scale accuracy < 0.1 %
- Factory offset and full scale calibration in combination with power supply

Status monitoring

The following power supply statuses can be read: ACF, DCF, LIM, OT, PSOL and CC

- ACF = AC Fail
- DCF = DC Fail
- LIM = Voltage and current limit reached
- OT = Overtemperature
- PSOL = Power Sink Overload
- CC = Constant Current mode

Controls

The power supply can be set in RSD mode.

- RSD = Remote Shut Down: shuts down the output of the power supply.

CANopen features

- SYNC Object
- Emergency object
- Node guarding
- Heartbeat
- Expedited and Nonexpedited SDO transfer
- Node address range 1 - 127
- Baud rate setting range 10 kbit/s - 1 Mbit/s

PROFIBUS features

- Slave in a PROFIBUS-DP network
- DP-V0 standart according to IEC 61784 Ed. 1:2002 CPF 3/1
- PROFIBUS protocol according IEC 61158
- Slave address range 1 - 127

Models	Option code	Interface	Comments
ES150 - Series	Option P279	PROFIBUS	Analog programming connector removed
ES150 - Series	Option P280	CANopen	Analog programming connector removed
ES 030-10	Option P281	PROFIBUS	Analog programming connector removed
ES 030-10	Option P282	CANopen	Analog programming connector removed
SM 800 - Series	Option P271	FROFIBUS	Analog programming connector still available
SM 800 - Series	Option P272	CANopen	Analog programming connector still available
SM 1500 - Series	Option P273	PROFIBUS	Analog programming connector still available
SM 1500 - Series	Option P274	CANopen	Analog programming connector still available
SM 3000 - Series	Option P275	PROFIBUS	Analog programming connector removed
SM 3000 - Series	Option P276	CANopen	Analog programming connector removed
SM 6000 - Series	Option P277	PROFIBUS	Analog programming connector still available **
SM 6000 - Series	Option P278	CANopen	Analog programming connector still available **

**Note : Except on SM 600-10 and SM 300-20