



# SM15K – Master/Slave Assembly Kits

- **M/S PAR SET C2...C12**
- **M/S PAR – CONNECTING 2 RACKS**

## **M/S PAR Kits SM500-CP-90, SM1000-CP-45 & SM1500-CP-30**

This document is an addition to the SM15K interface manual.  
It contains instructions for the connection for Master/Slave set-ups  
using the M/S PAR assembly kits.

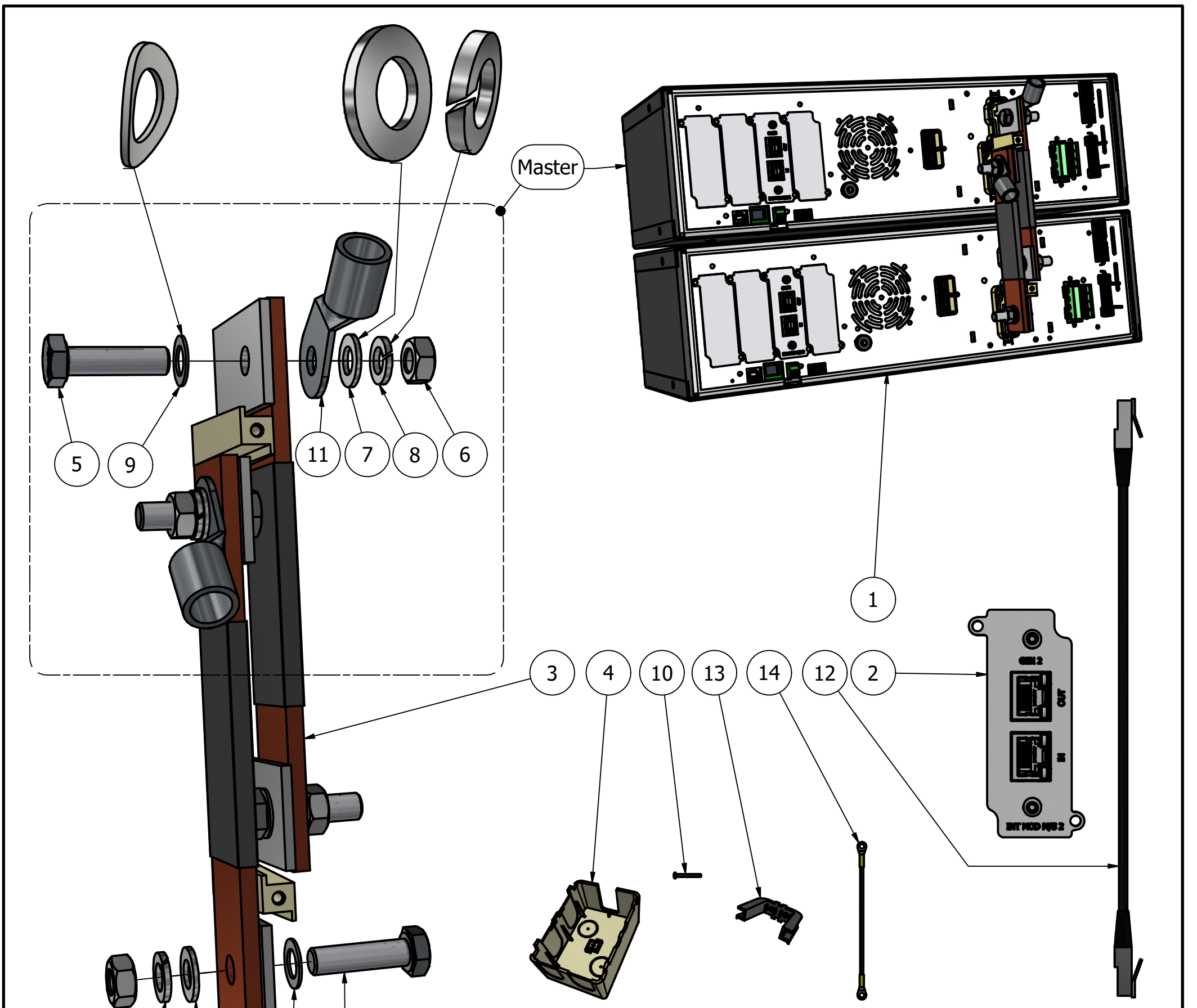
## **APPLICATION NOTE**

### **Revision 2024/05**

Contents:

- 1 – M/S PAR SET C2
- 2 – M/S PAR SET C3
- 3 – M/S PAR SET C4
- 4 – M/S PAR SET C5
- 5 – M/S PAR SET C6
- 6 – M/S PAR SET C7
- 7 – M/S PAR SET C8
- 8 – M/S PAR SET C9
- 9 – M/S PAR SET C10
- 10 – M/S PAR SET C11
- 11 – M/S PAR SET C12
- 12 – M/S PAR – CONNECTING 2 RACKS

*\* M/S PAR SET C is used for SM210-CP-150, SM500-CP-90, SM1000-CP-45 & SM1500-CP-30, but note that the cabling is different!*



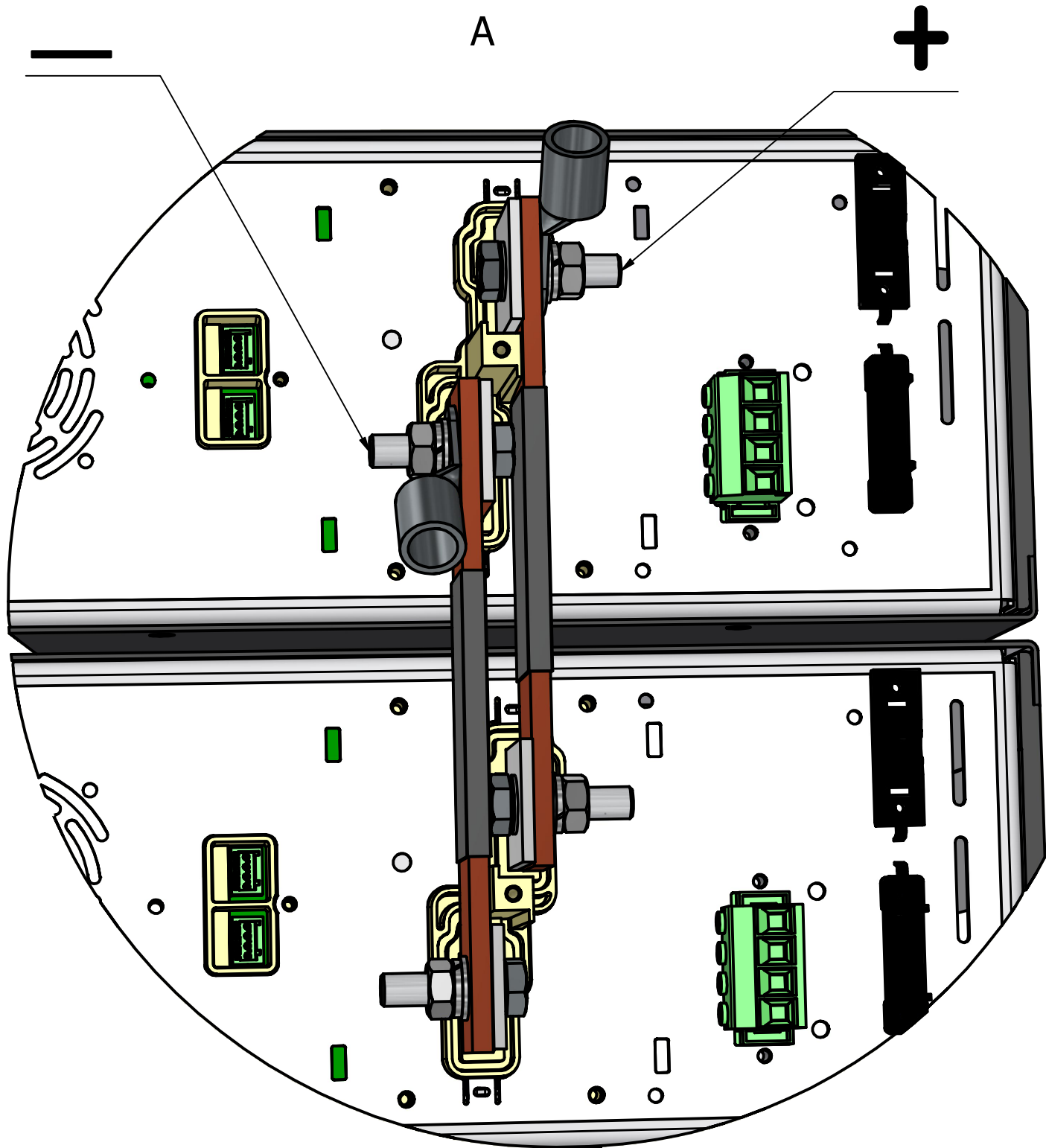
PARTS LIST

M/S PAR SET C2	ITEM	QTY	STOCK NUMBER	DESCRIPTION
*	1	2	SM500-CP-90 SM1000-CP-45 SM1500-CP-30	Power unit
*	2	2	int mod ms 2	interface m/s gen 2
v	3	2	dwg2530	m/s strip 1 2 units
v	4	2	dwg2532	cover output parallel 1
	5	4	M8x30SG DIN933	screw M8X30 SG DIN933 10.9/Geomet-500
	6	4	M8 A2 DIN934	nut M8 A2
	7	4	M8 A2 DIN125A	washer M8 A2
	8	4	M8 A2 DIN127B	lock washer A2
v	9	4	M8 SZ DIN137B	crinkle washer
	10	2	PT3.5x30 A2 T10	D-PT 3.5x30 ro he A2 T10 selftap
	11	2	Not supplied	Load cable cable lug M8
v	12	2	CBL P SFTP 0.5 BK	patchcable BK 0.5m RJ45
v	13	1	DWG2560	cover output strips m/s
v	14	1	DWG2603	earth cable m/s

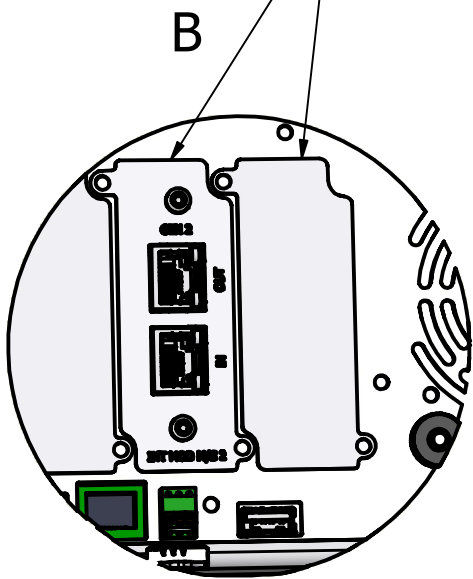
\* ORDER SEPARATELY

REVISIONS	DATE	NAME	SURFACE TREATMENT:	MAT:
REMARK:				DIM: mm Tol.: ± 0.2
			NAME DESIGNER	Delta Elektronika B.V.
			S.Janse	VISSERSDIJK 4
			DATE	4301 ND ZIERIKZEE
			22-04-2024	NETHERLANDS
TITLE: MASTER SLAVE assembly 2 units			DWG	A3
				SHEET I-2

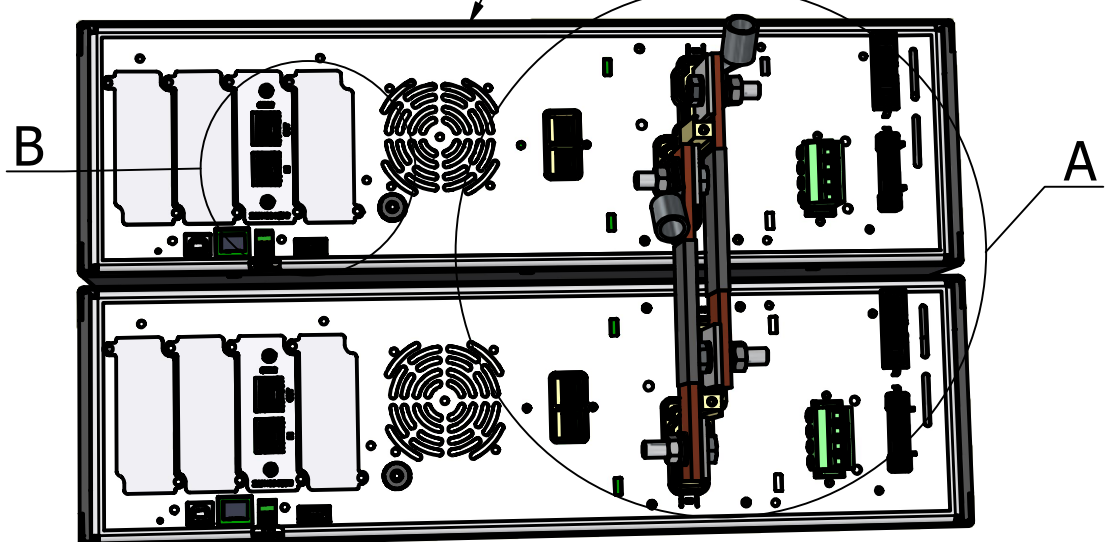




INT MOD M/S 2  
 POSITION :  
 SLOT 3 OR 4



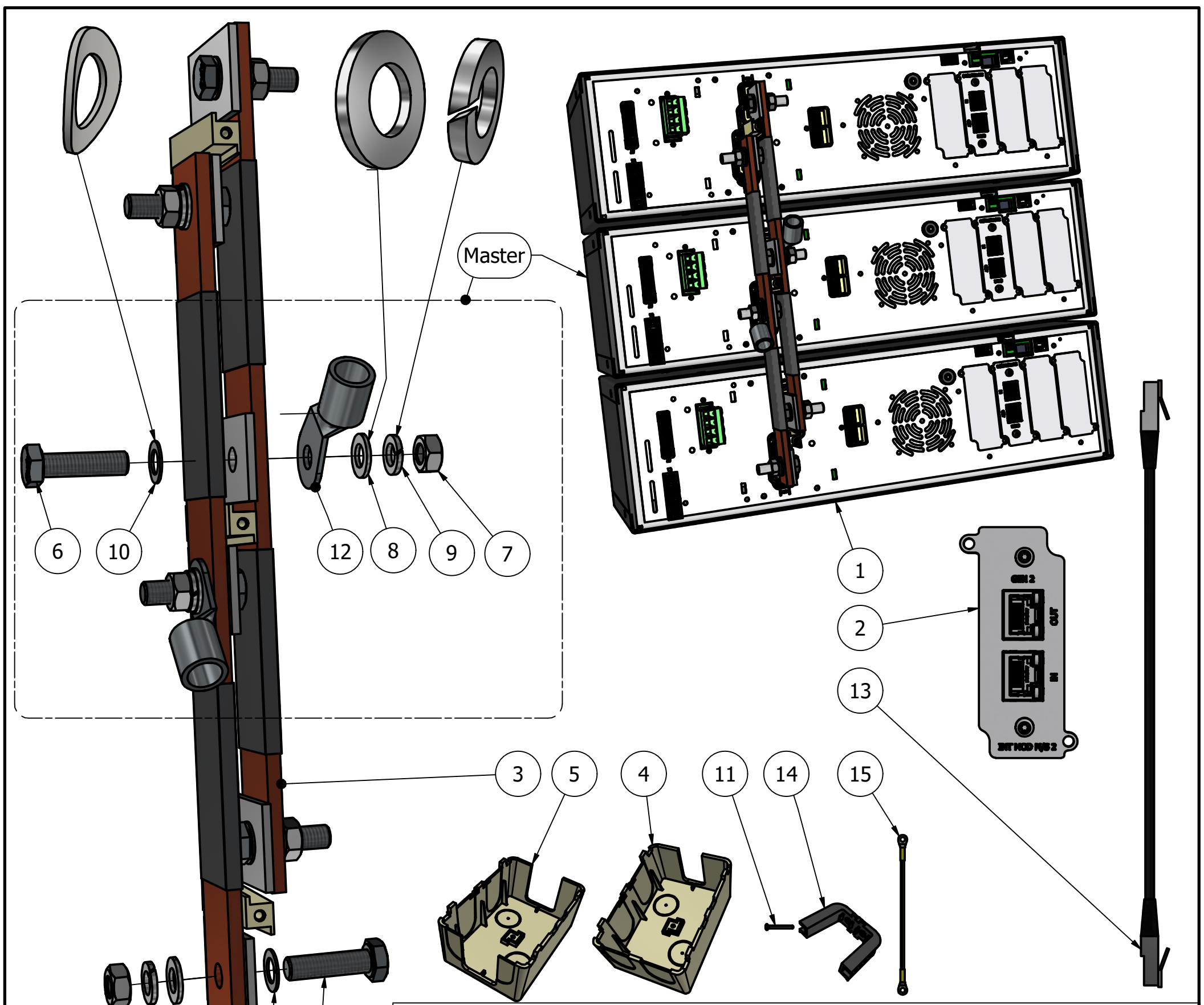
**MASTER**



SM500-CP-90 (2x)  
 OR  
 SMI000-CP-45 (2x)  
 OR  
 SMI500-CP-30 (2x)

			SURFACE TREATMENT:	MAT:
				DIM: mm Tol.: ± 0.2
			NAME DESIGNER	Delta Elektronika B.V.
			S.Janse	VISSERSDIJK 4
			DATE	4301 ND ZIERIKZEE
			22-04-2024	NETHERLANDS
REVISIONS	DATE	NAME	TITLE: MASTER SLAVE	
REMARK:			assembly 2 units	
			DWG	A3
				SHEET 2-2





PARTS LIST

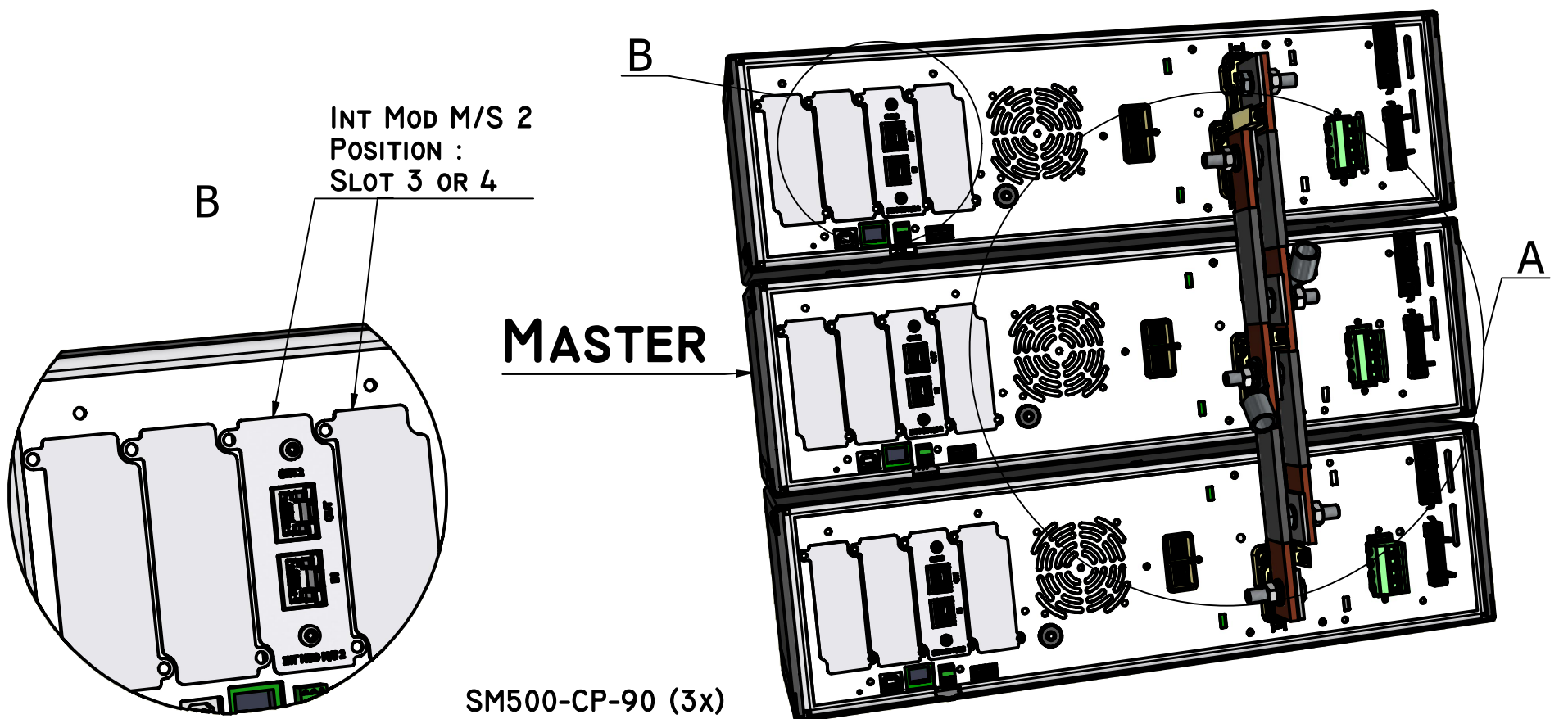
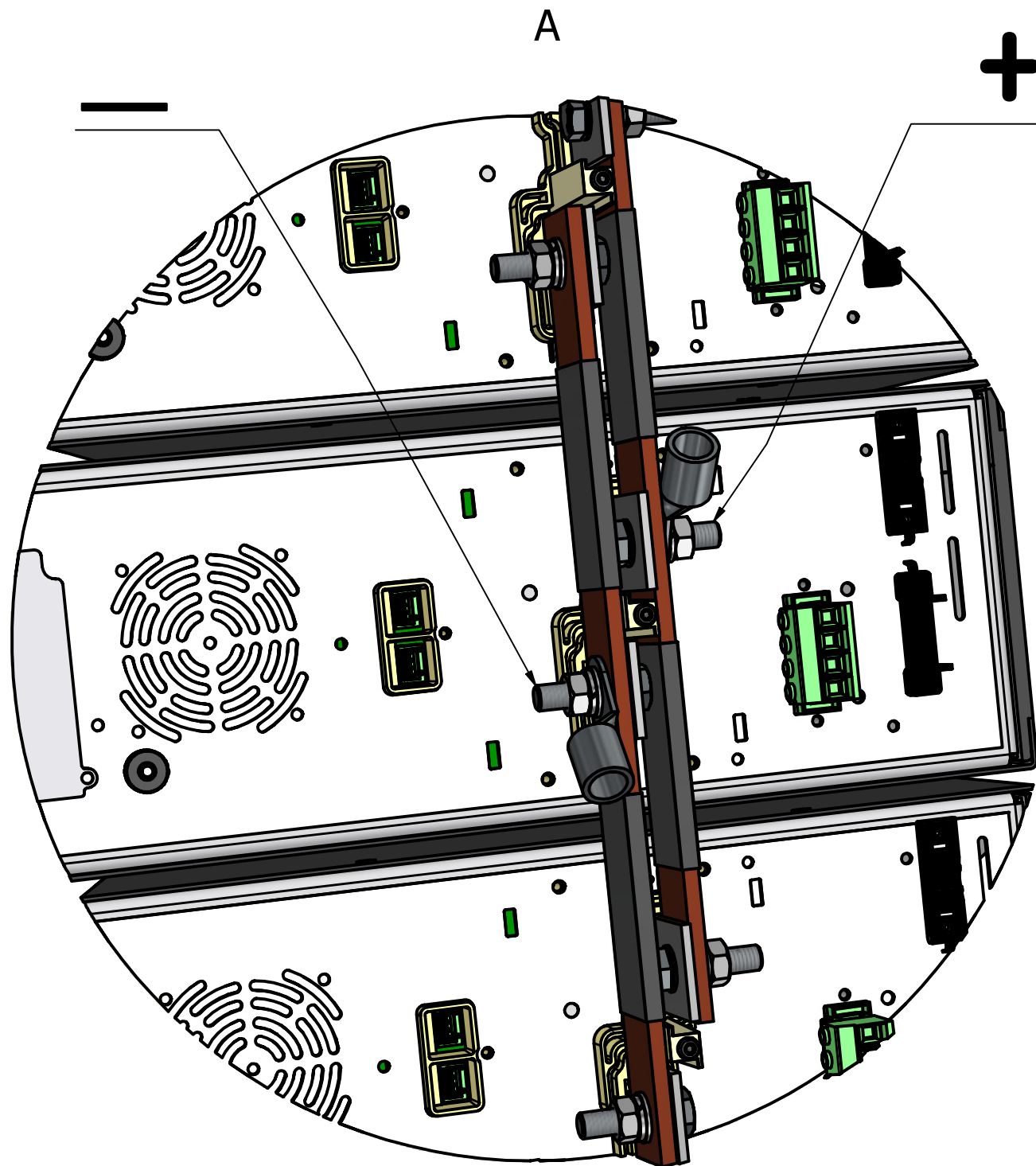
MS PAR SET C3	ITEM	QTY	STOCK NUMBER	DESCRIPTION
*	1	3	SM500-CP-90 SM1000-CP-45 SM1500-CP-30	power unit
*	2	3	int mod ms 2	interface m/s gen 2
v	3	2	dwg2531	m/s strip 2 3 units
v	4	2	dwg2532	cover output parallel 1
v	5	1	dwg2533	cover output parallel 2
	6	6	M8x30SG DIN933	screw M8X30 SG DIN933 10.9/Geomet-500
	7	6	M8 A2 DIN934	nut M8 A2
	8	6	M8 A2 DIN125A	washer M8 A2
	9	6	M8 A2 DIN127B	lock washer A2
v	10	6	M8 SZ DIN137B	crinkle washer
	11	3	PT3.5x30 A2 T10	D-PT 3.5x30 ro he A2 T10 selftap
	12	2	Not supplied	Load cable cable lug M8
v	13	3	CBL SFTP 0.5 BK	patchcable 0.5m RJ45
v	14	2	DWG2560	cover output strips m/s
v	15	2	DWG2603	earth cable m/s

REVISIONS	DATE	NAME	SURFACE TREATMENT:	MAT:
REMARK:				DIM: mm Tol.: ± 0.2
			NAME DESIGNER	Delta Elektronika B.V.
			S.Janse	VISSERSDIJK 4
			DATE	4301 ND ZIERIKZEE
			22-04-2024	NETHERLANDS
TITLE: MASTER SLAVE assembly 3 units			DWG	
			A3 SHEET 1-2	

\* ORDER SEPARATELY







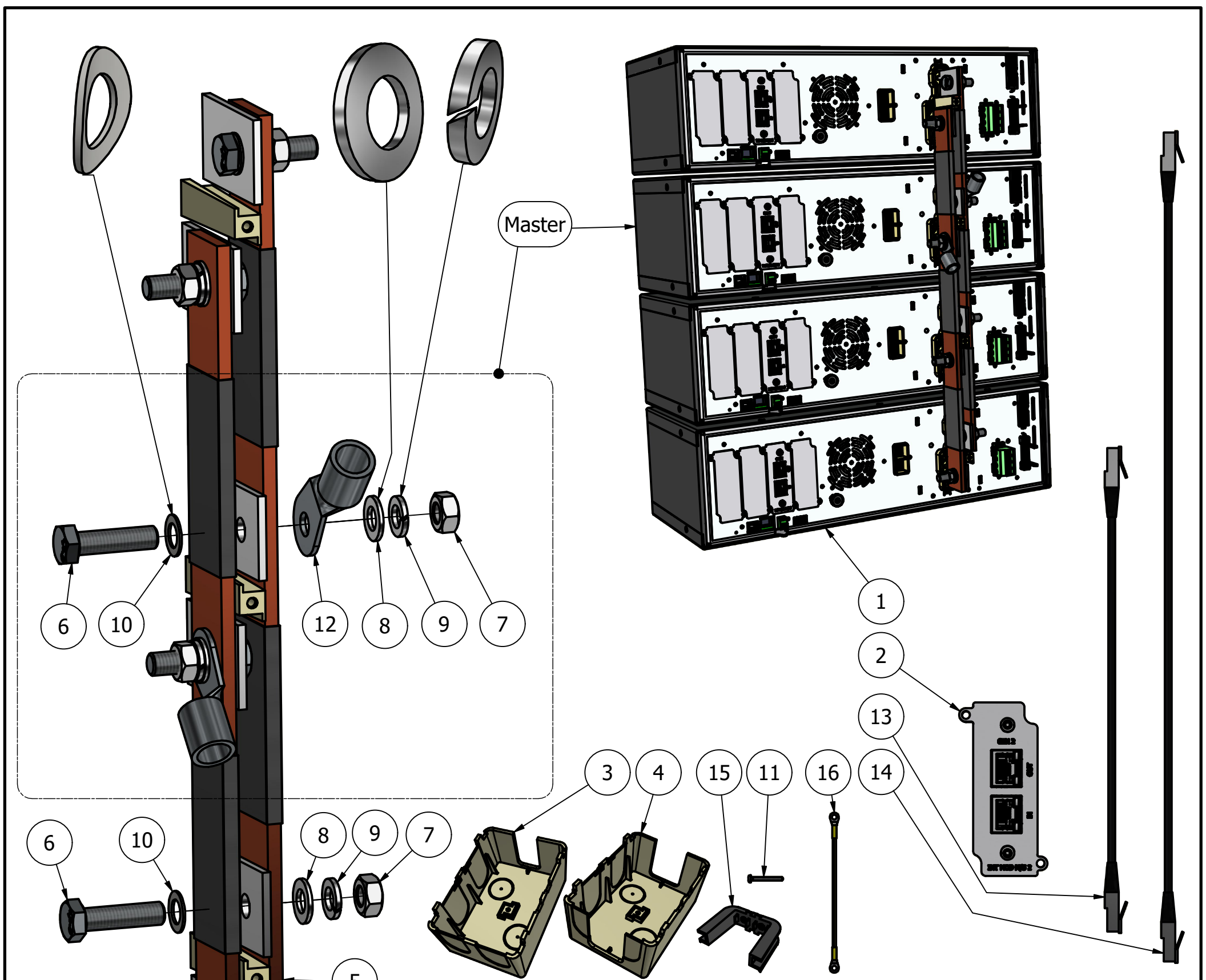
INT MOD M/S 2  
POSITION :  
SLOT 3 OR 4

**MASTER**

SM500-CP-90 (3x)  
OR  
SM1000-CP-45 (3x)  
OR  
SM1500-CP-30 (3x)

			SURFACE TREATMENT:	MAT:
				DIM: mm Tol.: ± 0.2
			NAME DESIGNER	Delta Elektronika B.V.
			S.Janse	VISSERSDIJK 4
			DATE	4301 ND ZIERIKZEE
			22-04-2024	NETHERLANDS
REVISIONS	DATE	NAME	TITLE: MASTER SLAVE	
REMARK:			assembly 3 units	
			DWG	A3
				SHEET 2-2





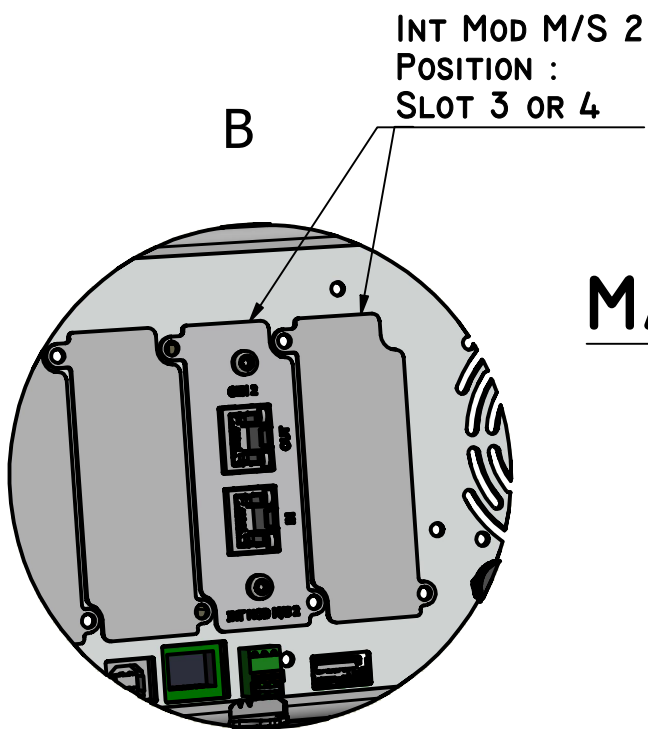
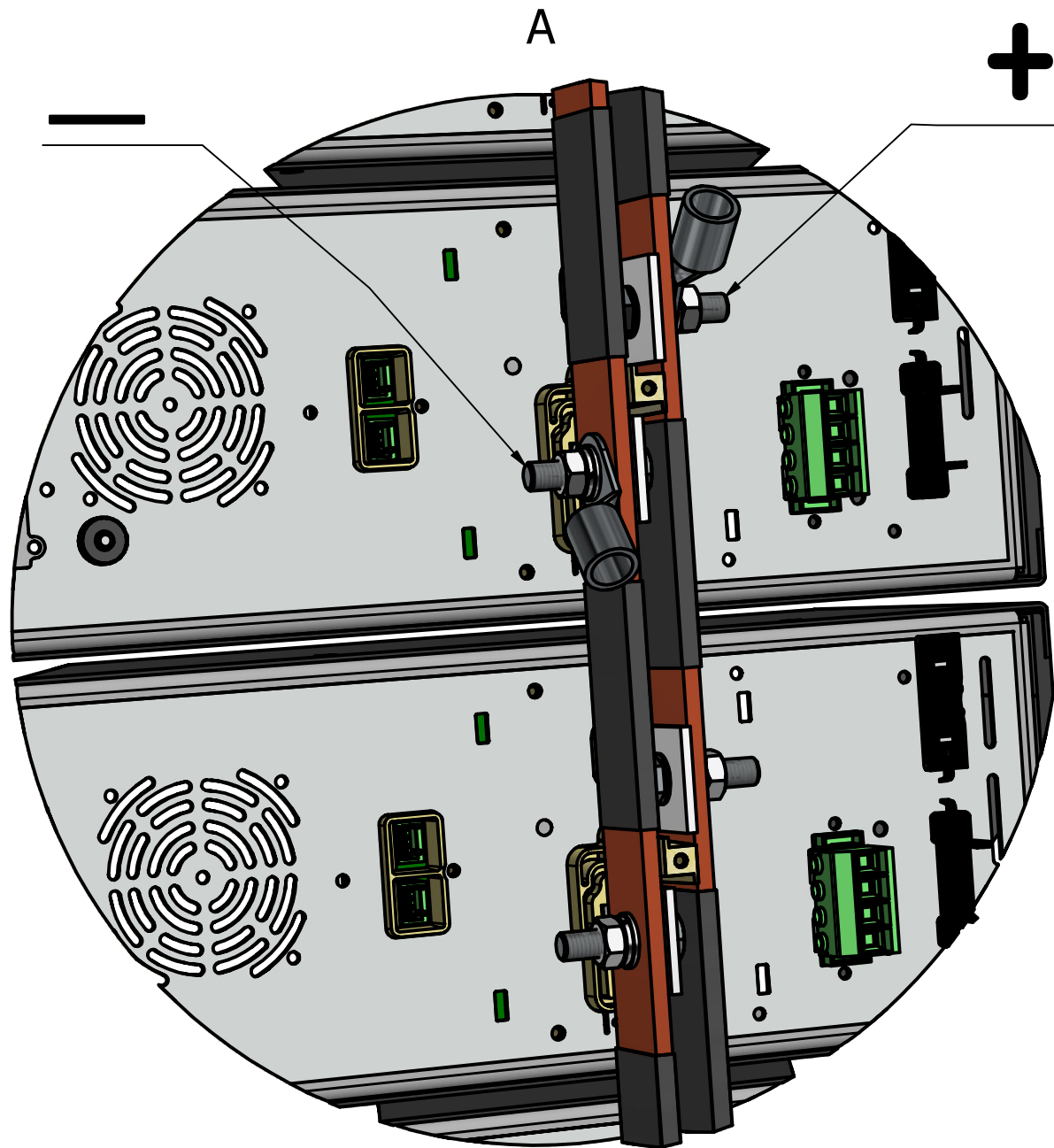
PARTS LIST

M/S PAR SET C4	ITEM	QTY	STOCK NUMBER	DESCRIPTION
*	1	4	SM500-CP-90 SM1000-CP-45 SM1500-CP-30	power unit
*	2	4	int mod ms 2	interface m/s gen 2
v	3	2	dwg2532	cover output parallel 1
v	4	2	dwg2533	cover output parallel 2
v	5	2	dwg2534	m/s strip 3 4 units
	6	8	M8x30SG DIN933	screw M8X30 SG DIN933 10.9/Geomet-500
	7	8	M8 A2 DIN934	nut M8 A2
	8	8	M8 A2 DIN125A	washer M8 A2
	9	8	M8 A2 DIN127B	lock washer A2
v	10	8	M8 SZ DIN137B	crinkle washer
	11	4	PT3.5x30 A2 T10	D-PT 3.5x30 ro he A2 T10 selftap
	12	2	Not supplied	Load cable cable lug M8
v	13	3	CBL P SFTP 0.5 BK	patchcable BK 0.5m RJ45
v	14	1	CBL P SFTP 1 BK	patchcable BK 1m RJ45
v	15	3	DWG2560	cover output strips m/s
v	16	3	DWG2603	earth cable m/s

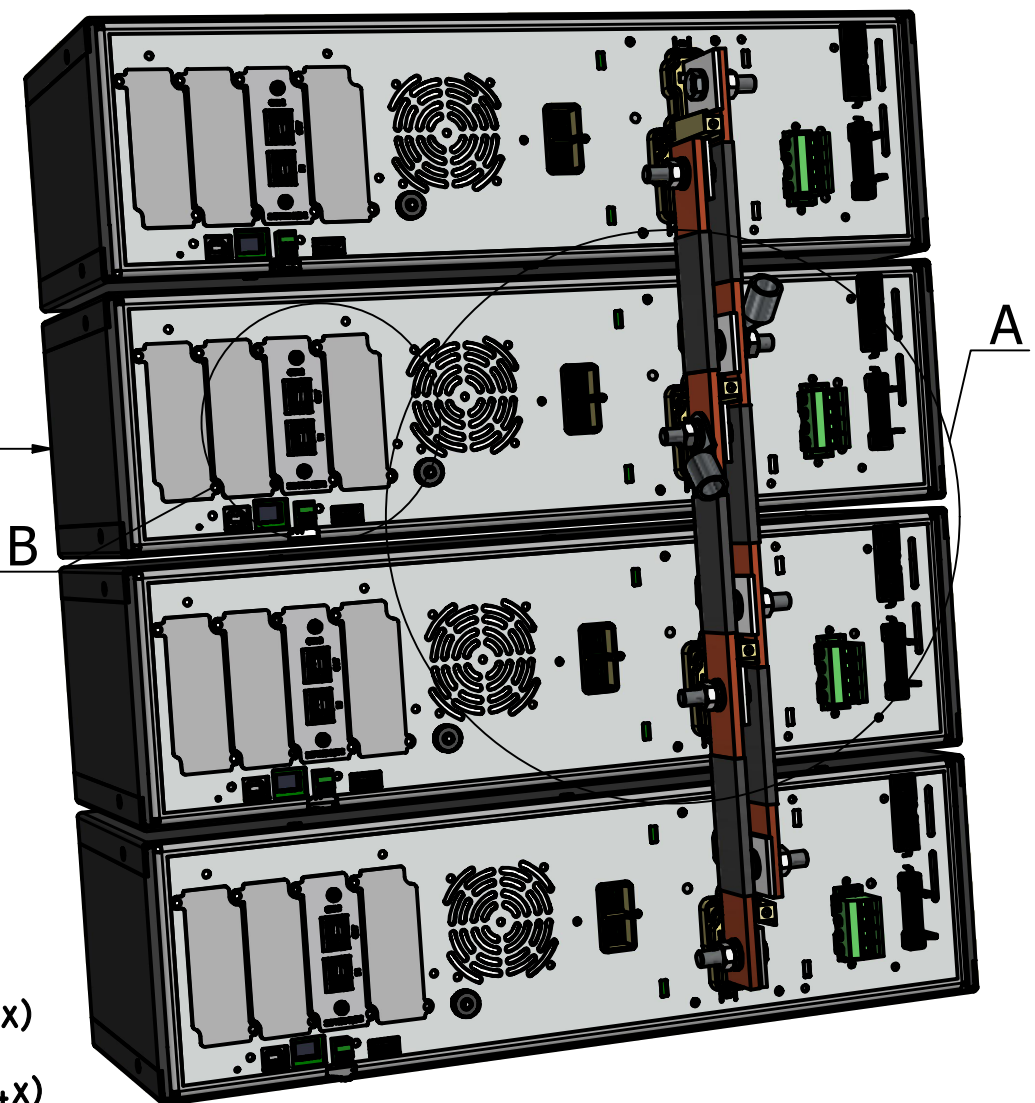
\* ORDER SEPARATELY

REVISIONS	DATE	NAME	SURFACE TREATMENT:	MAT:
REMARK:				DIM: mm Tol.: ± 0.2
			NAME DESIGNER	Delta Elektronika B.V.
			S.Janse	VISSERSDIJK 4
			DATE	4301 ND ZIERIKZEE
			22-04-2024	NETHERLANDS
TITLE: MASTER SLAVE assembly 4 units			DWG	
			A3	
			SHEET 1-2	





**MASTER**

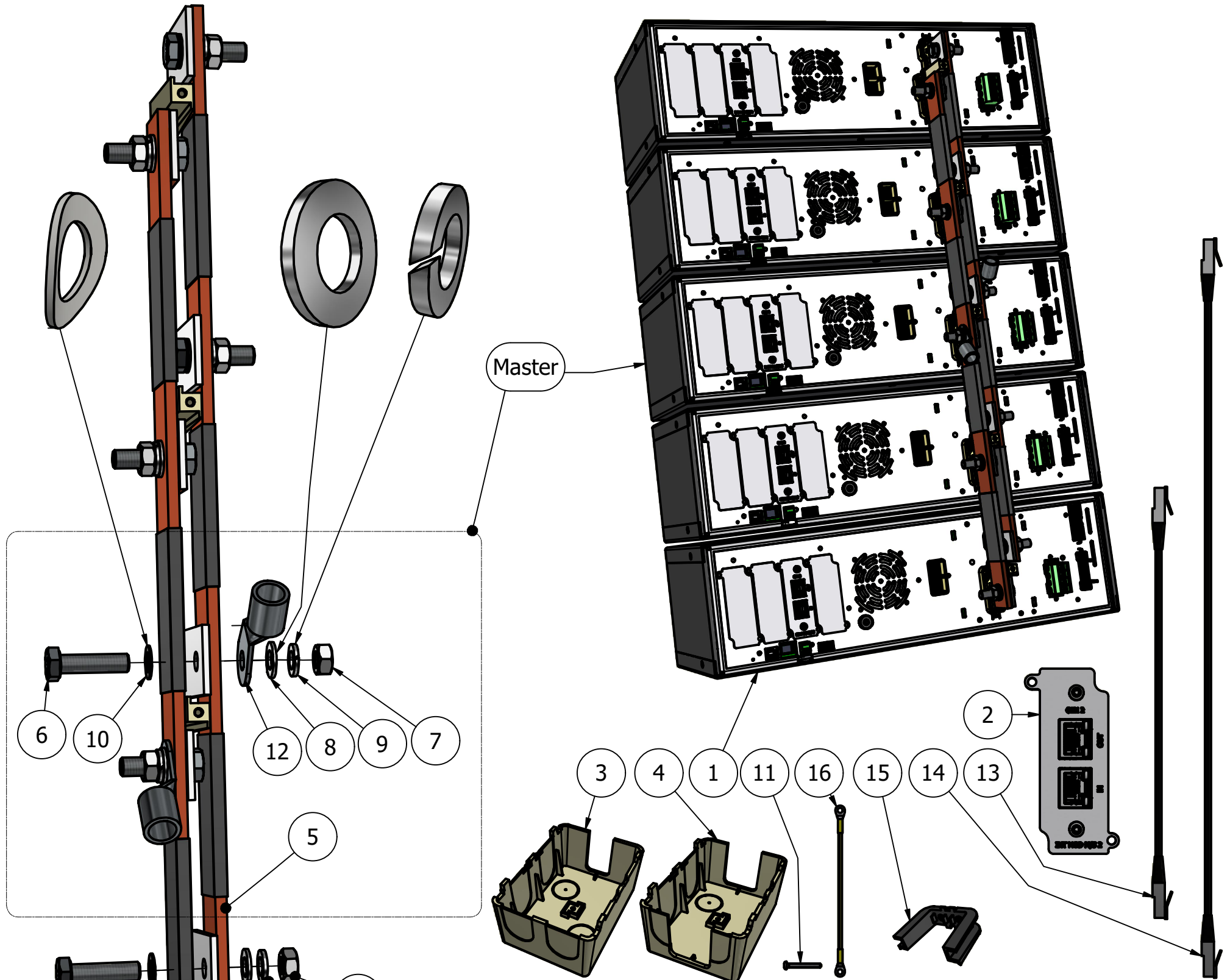


SM500-CP-90 (4x)  
OR  
SMI000-CP-45 (4x)  
OR  
SMI500-CP30 (4x)

			SURFACE TREATMENT:	MAT:
				DIM: mm Tol.: ± 0.2
			NAME DESIGNER	Delta Elektronika B.V.
			S.Janse	VISSERSDIJK 4
			DATE	4301 ND ZIERIKZEE
			22-04-2024	NETHERLANDS
REVISIONS	DATE	NAME	TITLE: MASTER SLAVE	
REMARK:			assembly 4 units	
			DWG	A3
				SHEET 2-2







PARTS LIST

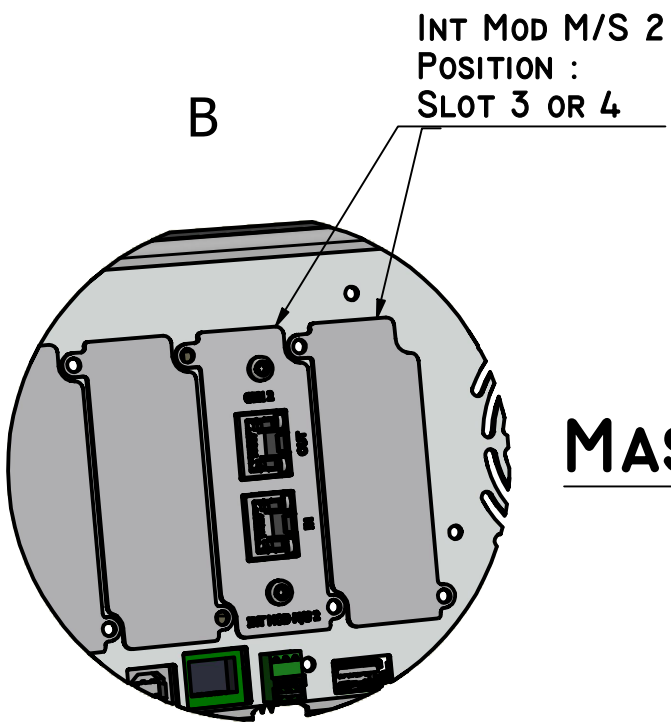
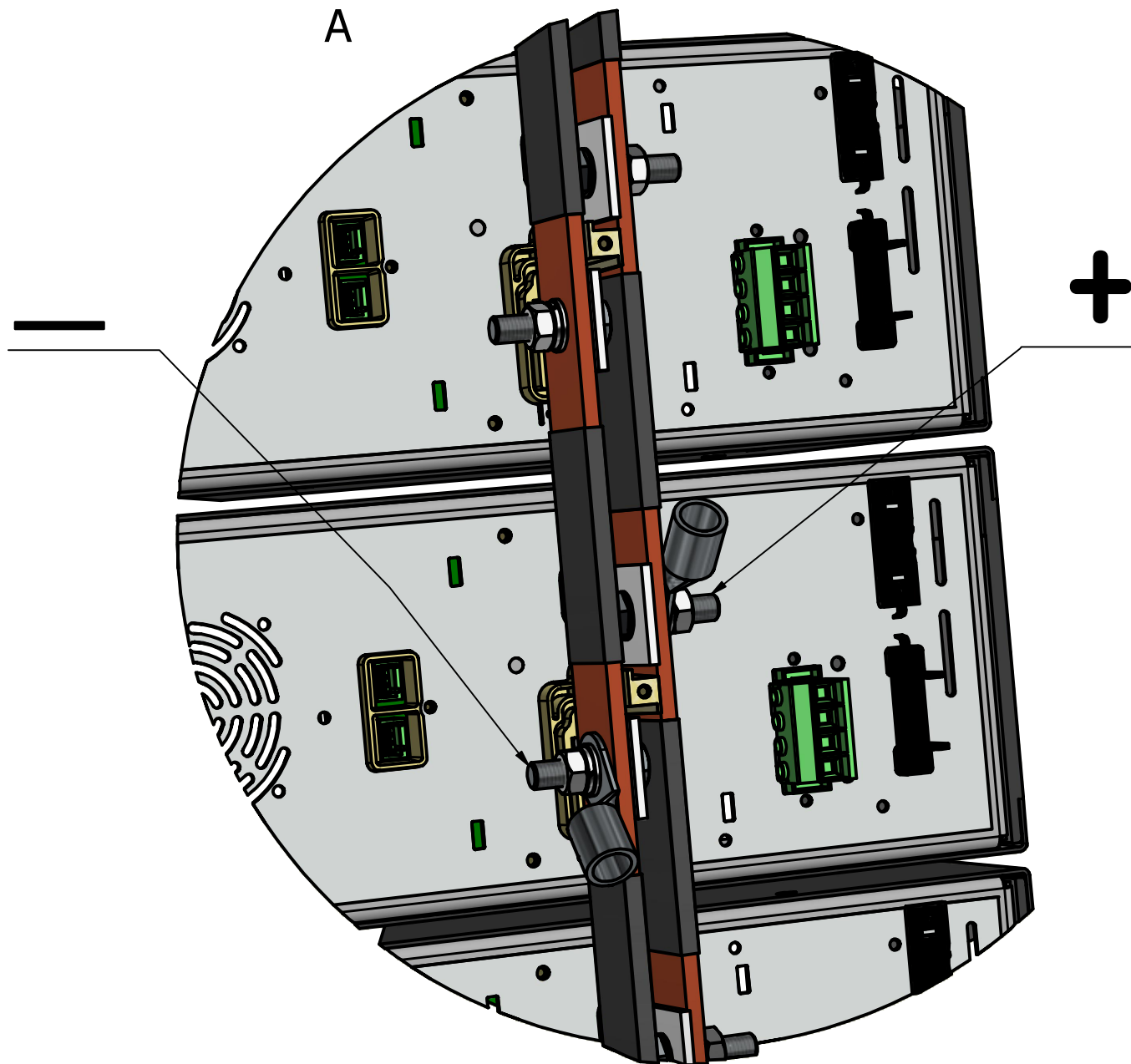
M/S PAR SET C5	ITEM	QTY	STOCK NUMBER	DESCRIPTION
*	1	5	SM500-CP-90 SM1000-CP-45 SM1500-CP-30	power unit
*	2	5	int mod ms 2	interface m/s gen 2
v	3	2	dwg2532	cover output parallel 1
v	4	3	dwg2533	cover output parallel 2
v	5	2	dwg2535	m/s strip 4 5 units
	6	10	M8x30SG DIN933	screw M8X30 SG DIN933 10.9/Geomet-500
	7	10	M8 A2 DIN934	nut M8 A2
	8	10	M8 A2 DIN125A	washer M8 A2
	9	10	M8 A2 DIN127B	lock washer A2
v	10	10	M8 SZ DIN137B	crinkle washer
	11	5	PT3.5x30 A2 T10	D-PT 3.5x30 ro he A2 T10 selftap
	12	2	Not supplied	Load cable cable lug M8
v	13	4	CBL P SFTP 0.5 BK	patchcable BK 0.5m RJ45
v	14	1	CBL P SFTP 1 BK	patchcable BK 1m RJ45
v	15	4	DWG2560	cover output strips m/s
v	16	4	DWG2603	earth cable m/s

\* ORDER SEPARATELY

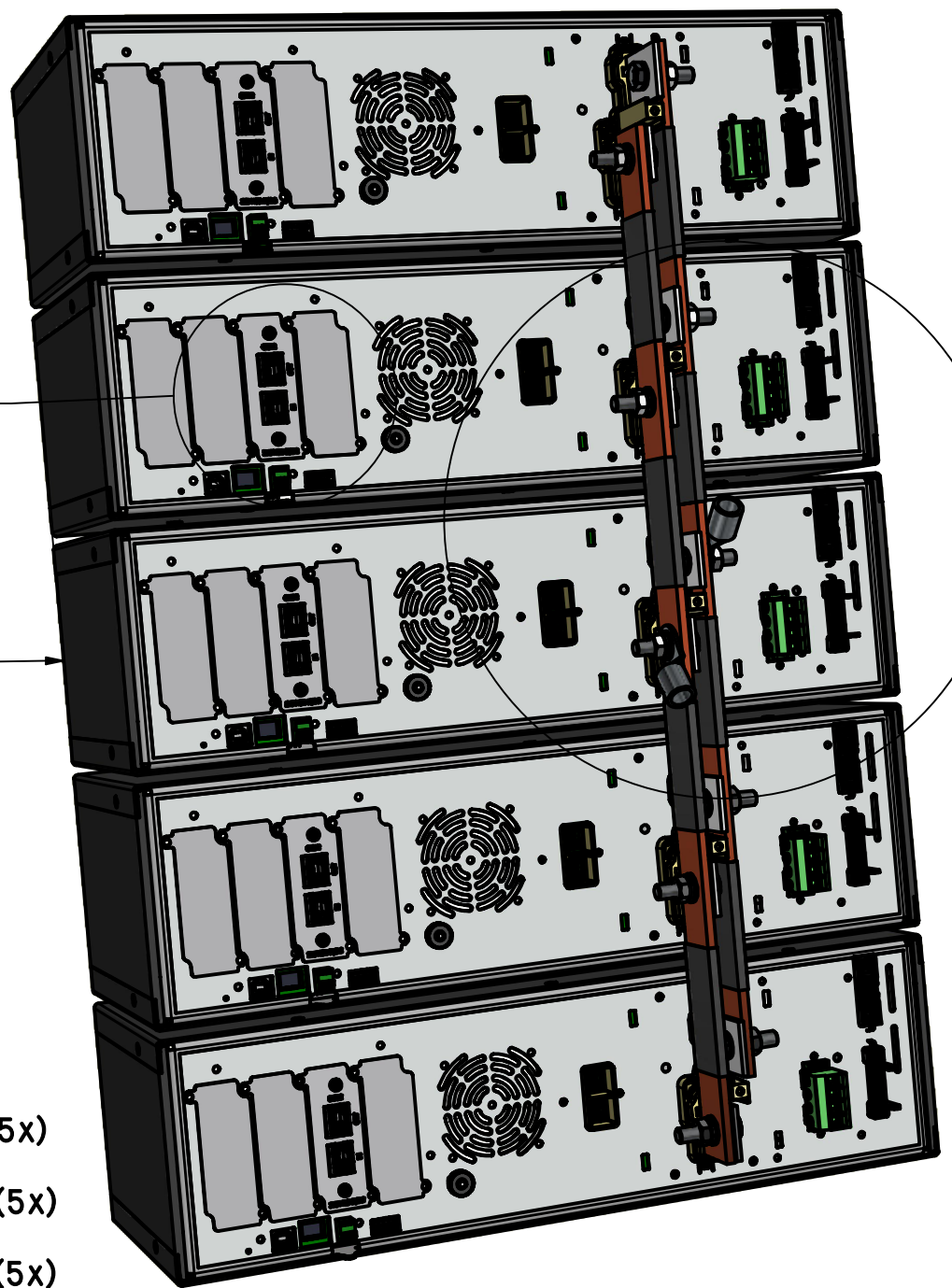
REVISIONS	DATE	NAME	SURFACE TREATMENT:	MAT:
REMARK:				DIM: mm Tol.: ± 0.2
			NAME DESIGNER	Delta Elektronika B.V.
			S.Janse	VISSERSDIJK 4
			DATE	4301 ND ZIERIKZEE
			22-04-2024	NETHERLANDS
			TITLE: MASTER SLAVE	A3
			assembly 5 units	
			DWG	SHEET 1-2







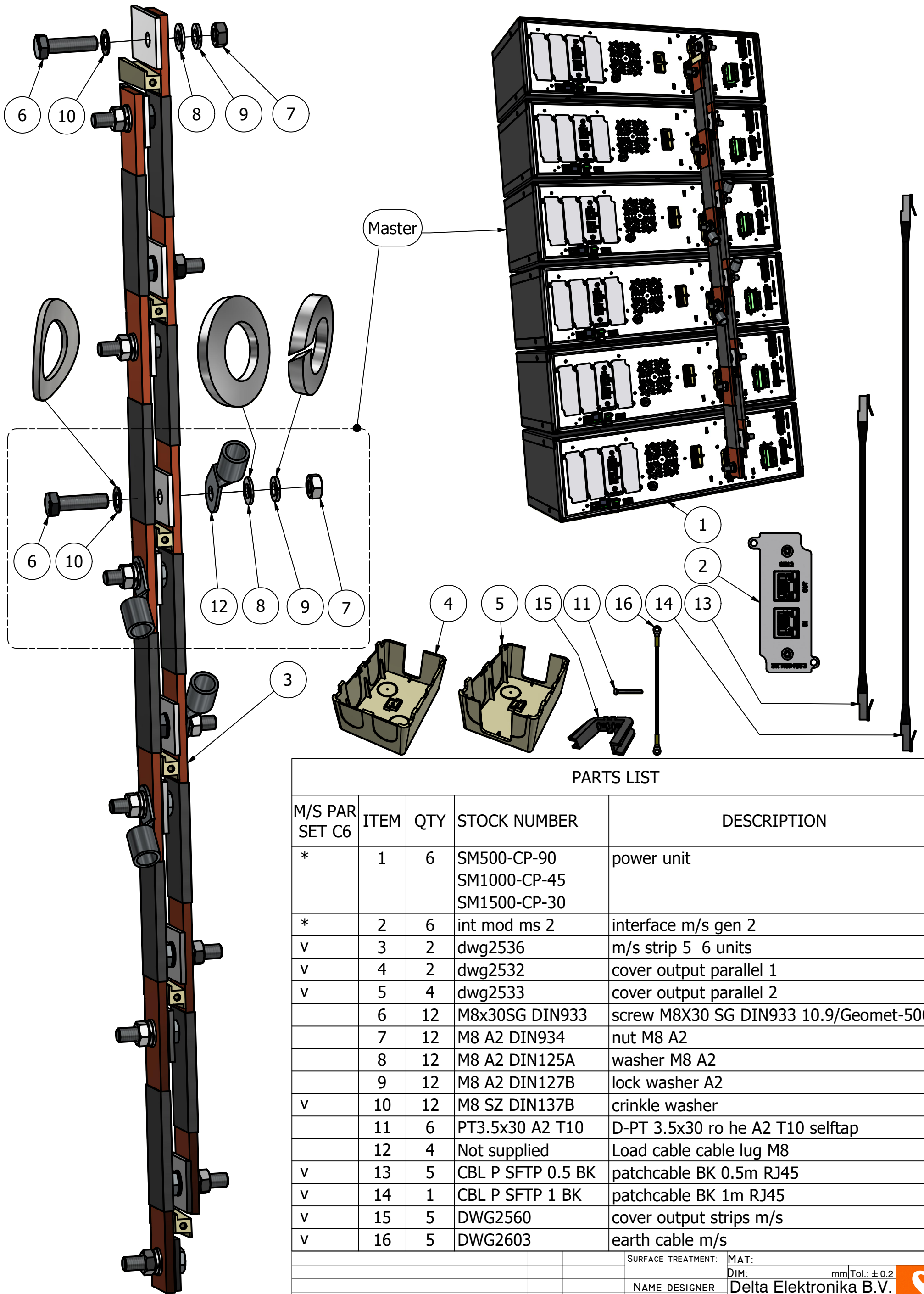
**MASTER**



SM500-CP-90 (5x)  
 OR  
 SMI000-CP-45 (5x)  
 OR  
 SMI500-CP-30 (5x)

			SURFACE TREATMENT:	MAT:
				DIM: mm Tol.: ± 0.2
			NAME DESIGNER	Delta Elektronika B.V.
			S.Janse	VISSERSDIJK 4
			DATE	4301 ND ZIERIKZEE
			22-04-2024	NETHERLANDS
REVISIONS	DATE	NAME	TITLE: MASTER SLAVE	
REMARK:			assembly 5 units	
			DWG	A3
				SHEET 2-2





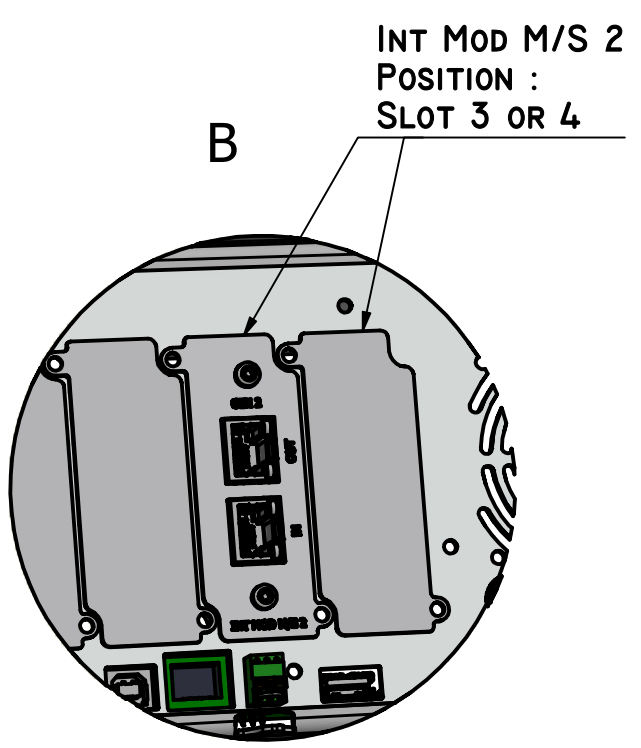
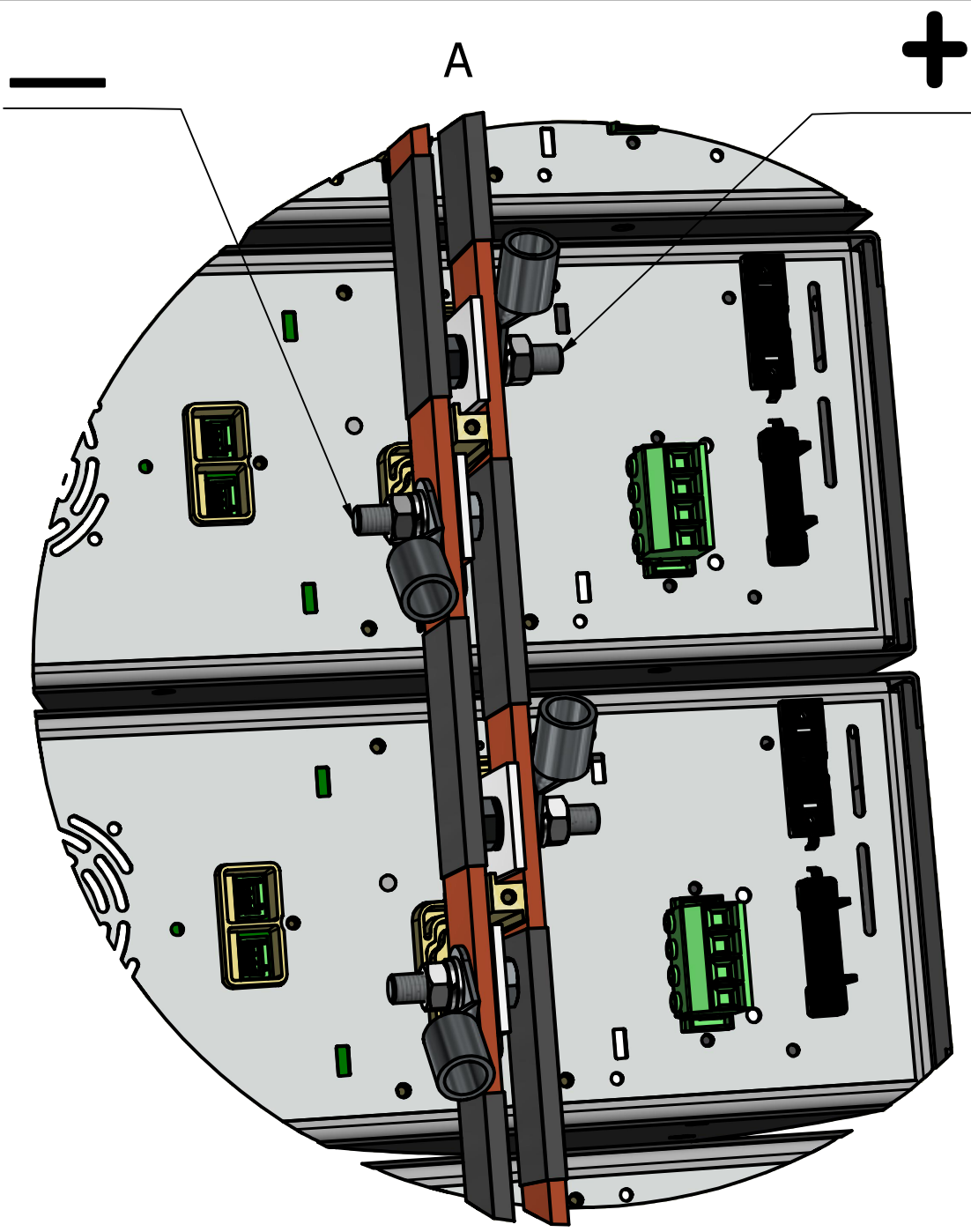
PARTS LIST

M/S PAR SET C6	ITEM	QTY	STOCK NUMBER	DESCRIPTION
*	1	6	SM500-CP-90 SM1000-CP-45 SM1500-CP-30	power unit
*	2	6	int mod ms 2	interface m/s gen 2
v	3	2	dwg2536	m/s strip 5 6 units
v	4	2	dwg2532	cover output parallel 1
v	5	4	dwg2533	cover output parallel 2
	6	12	M8x30SG DIN933	screw M8X30 SG DIN933 10.9/Geomet-500
	7	12	M8 A2 DIN934	nut M8 A2
	8	12	M8 A2 DIN125A	washer M8 A2
	9	12	M8 A2 DIN127B	lock washer A2
v	10	12	M8 SZ DIN137B	crinkle washer
	11	6	PT3.5x30 A2 T10	D-PT 3.5x30 ro he A2 T10 selftap
	12	4	Not supplied	Load cable cable lug M8
v	13	5	CBL P SFTP 0.5 BK	patchcable BK 0.5m RJ45
v	14	1	CBL P SFTP 1 BK	patchcable BK 1m RJ45
v	15	5	DWG2560	cover output strips m/s
v	16	5	DWG2603	earth cable m/s

\* ORDER SEPARATELY

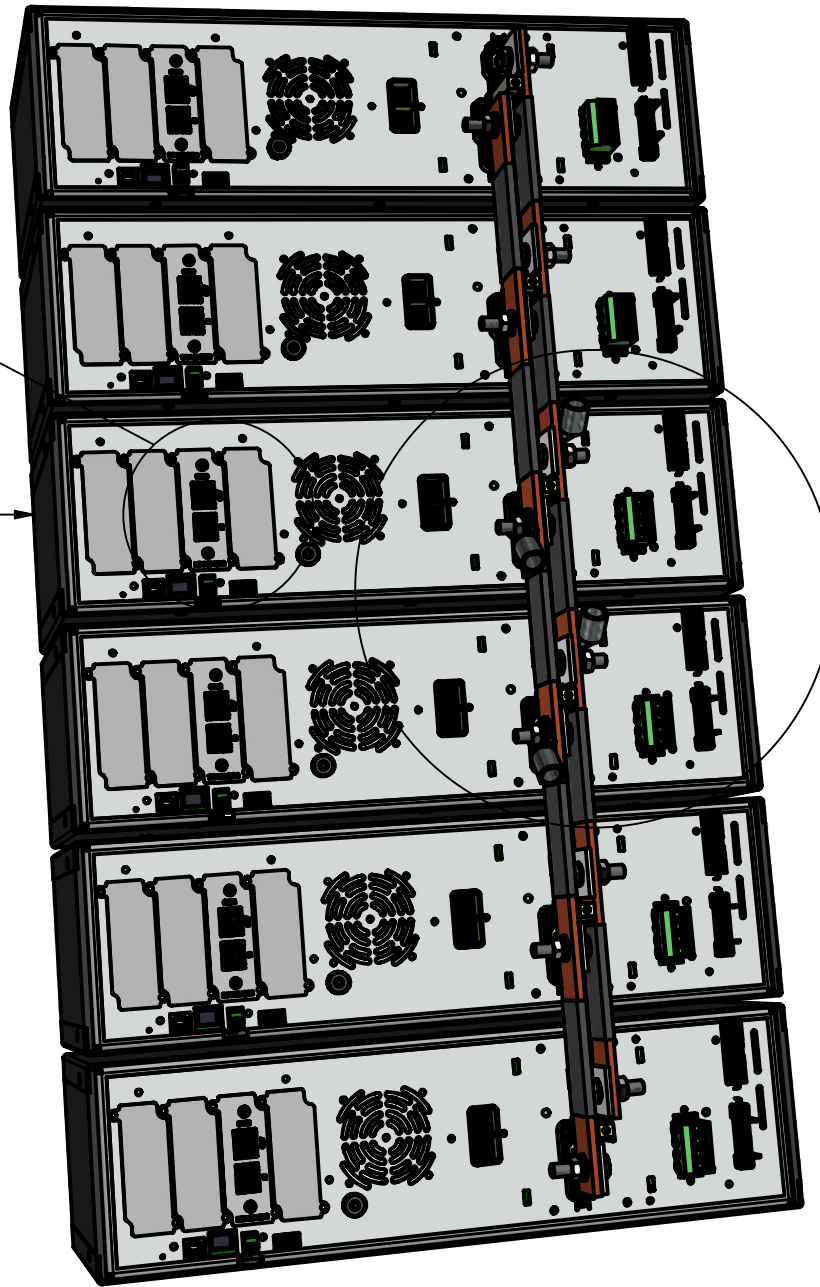
REVISIONS	DATE	NAME	SURFACE TREATMENT:	MAT:
REMARK:				DIM: mm Tol.: ± 0.2
			NAME DESIGNER	Delta Elektronika B.V.
			S.Janse	VISSERSDIJK 4
			DATE	4301 ND ZIERIKZEE
			23-04-2024	NETHERLANDS
TITLE: MASTER SLAVE assembly 6 units			DWG	
			A3	
			SHEET 1-2	





INT MOD M/S 2  
POSITION :  
SLOT 3 OR 4

**MASTER**

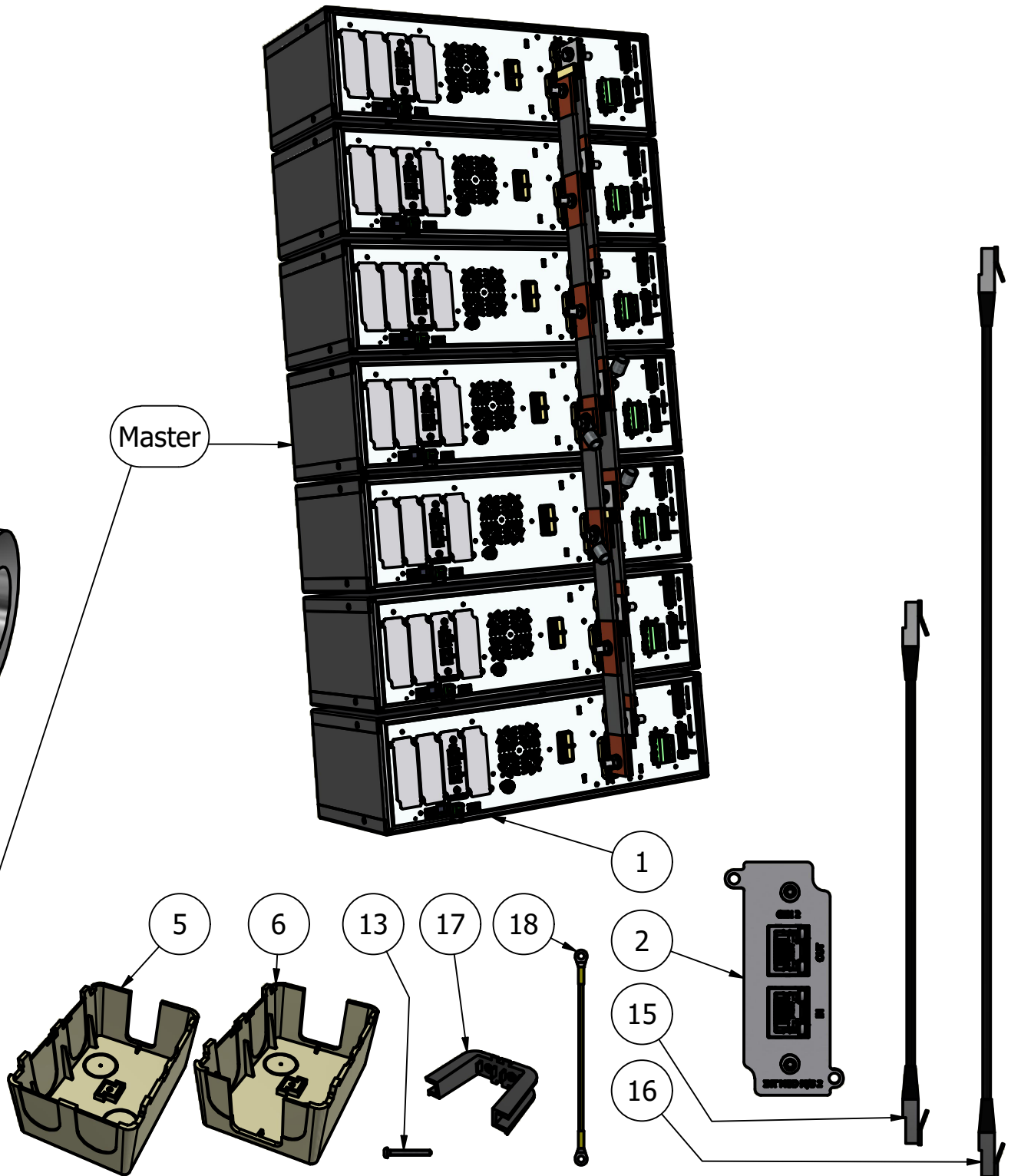
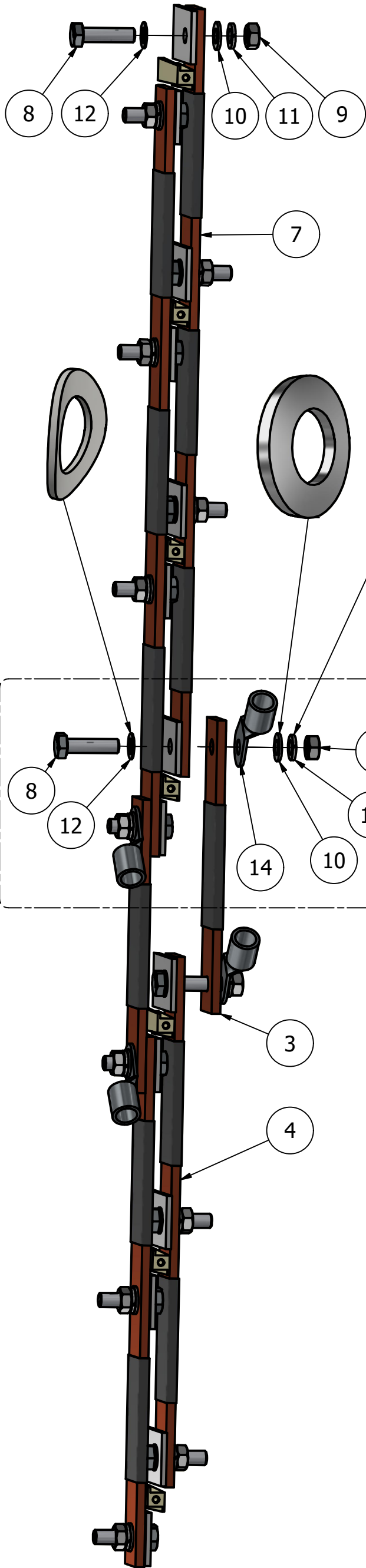


SM500-CP-90 (6x)  
OR  
SM1000-CP-45 (6x)  
OR  
SM1500-CP-30 (6x)

			SURFACE TREATMENT:	MAT:
				DIM: mm Tol.: ± 0.2
			NAME DESIGNER	Delta Elektronika B.V.
			S.Janse	VISSERSDIJK 4
			DATE	4301 ND ZIERIKZEE
			23-04-2024	NETHERLANDS
REVISIONS	DATE	NAME	TITLE: MASTER SLAVE	
REMARK:			assembly 6 units	
			DWG	A3
				SHEET 2-2







PARTS LIST

M/S PAR SET C7	ITEM	QTY	STOCK NUMBER	DESCRIPTION
*	1	7	SM500-CP-90 SM1000-CP-45 SM1500-CP-30	power unit
*	2	7	int mod ms 2	interface m/s gen 2
v	3	2	dwg2530	m/s strip 1 2 units
v	4	2	dwg2531	m/s strip 2 3 units
v	5	2	dwg2532	cover output parallel 1
v	6	5	dwg2533	cover output parallel 2
v	7	2	dwg2534	m/s strip 3 4 units
	8	14	M8x30SG DIN933	screw M8X30 SG DIN933 10.9/Geomet-500
	9	14	M8 A2 DIN934	nut M8 A2
	10	14	M8 A2 DIN125A	washer M8 A2
	11	14	M8 A2 DIN127B	lock washer A2
v	12	14	M8 SZ DIN137B	crinkle washer
	13	7	PT3.5x30 A2 T10	D-PT 3.5x30 ro he A2 T10 selftap
	14	4	Not supplied	Load cable cable lug M8
v	15	6	CBL P SFTP 0.5 BK	patchcable BK 0.5m RJ45
v	16	1	CBL P SFTP 1 BK	patchcable BK 1m RJ45
v	17	6	DWG2560	cover output strips m/s
v	18	6	DWG2603	earth cable m/s

\* ORDER SEPARATELY

REVISIONS  
REMARK:

DATE NAME

SURFACE TREATMENT: MAT:  
DIM: mm Tol.: ± 0.2  
NAME DESIGNER: Delta Elektronika B.V.  
S.Janse  
VISSERSDIJK 4  
4301 ND ZIERIKZEE  
NETHERLANDS

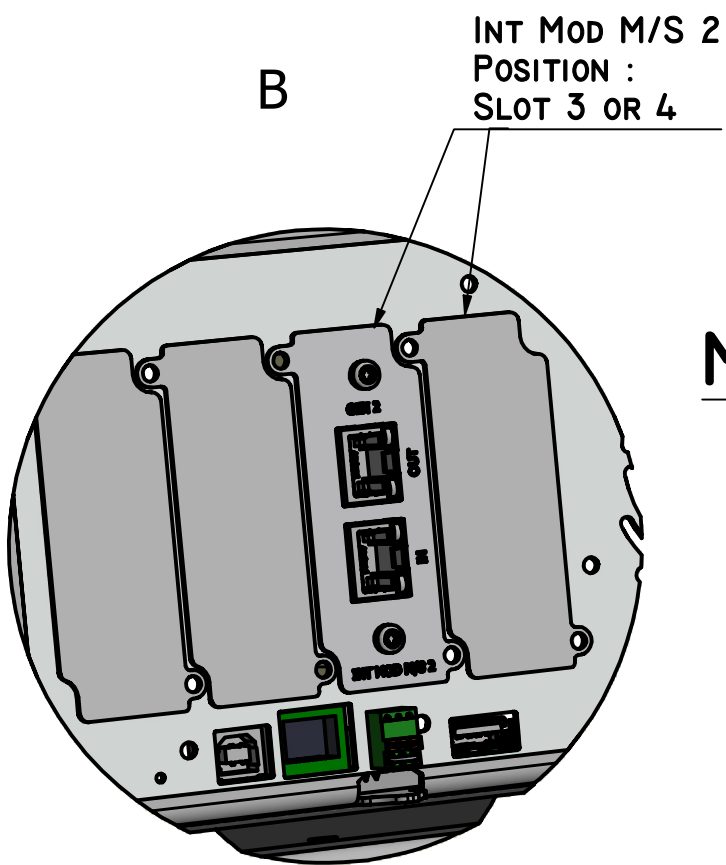
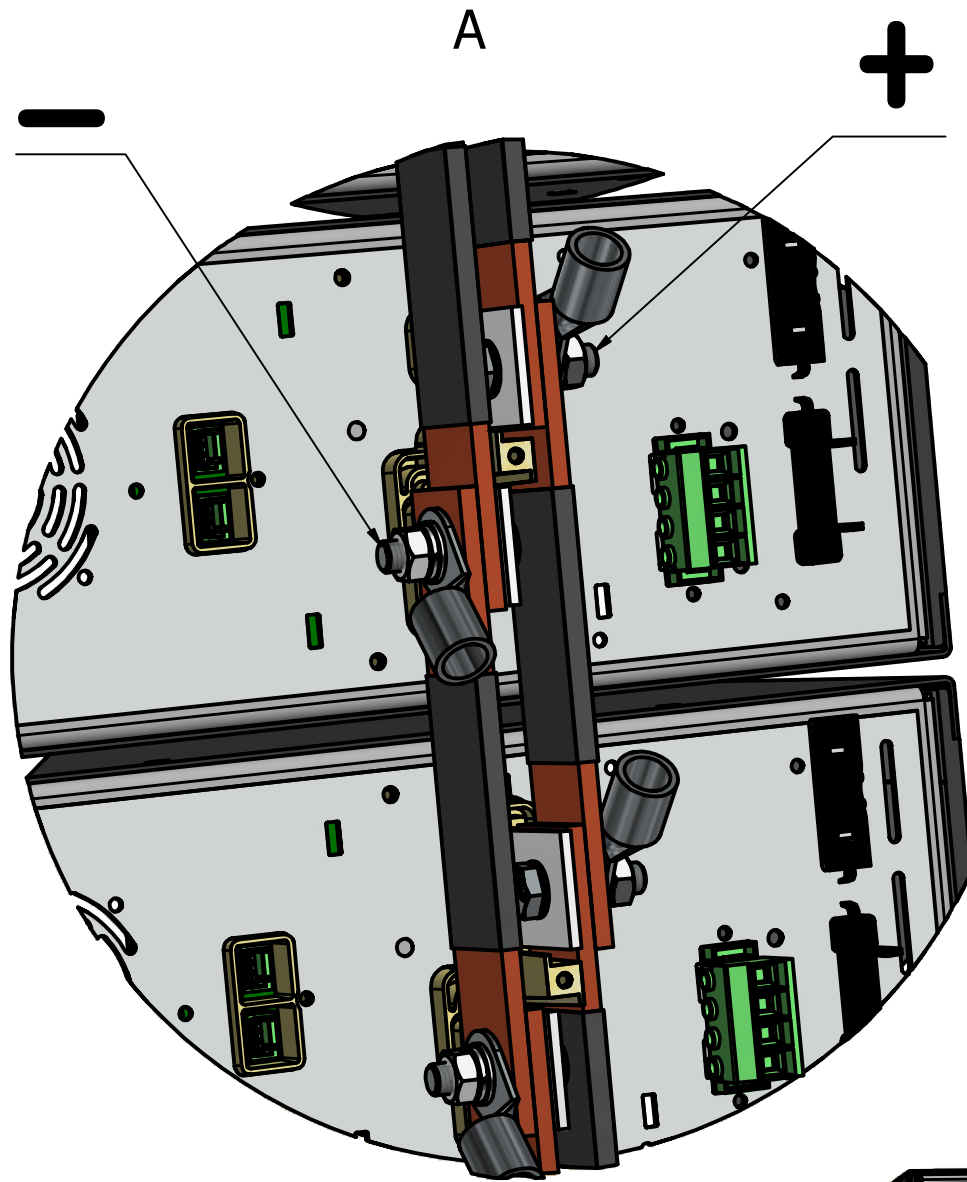
TITLE: MASTER SLAVE  
assembly 7 units

DWG

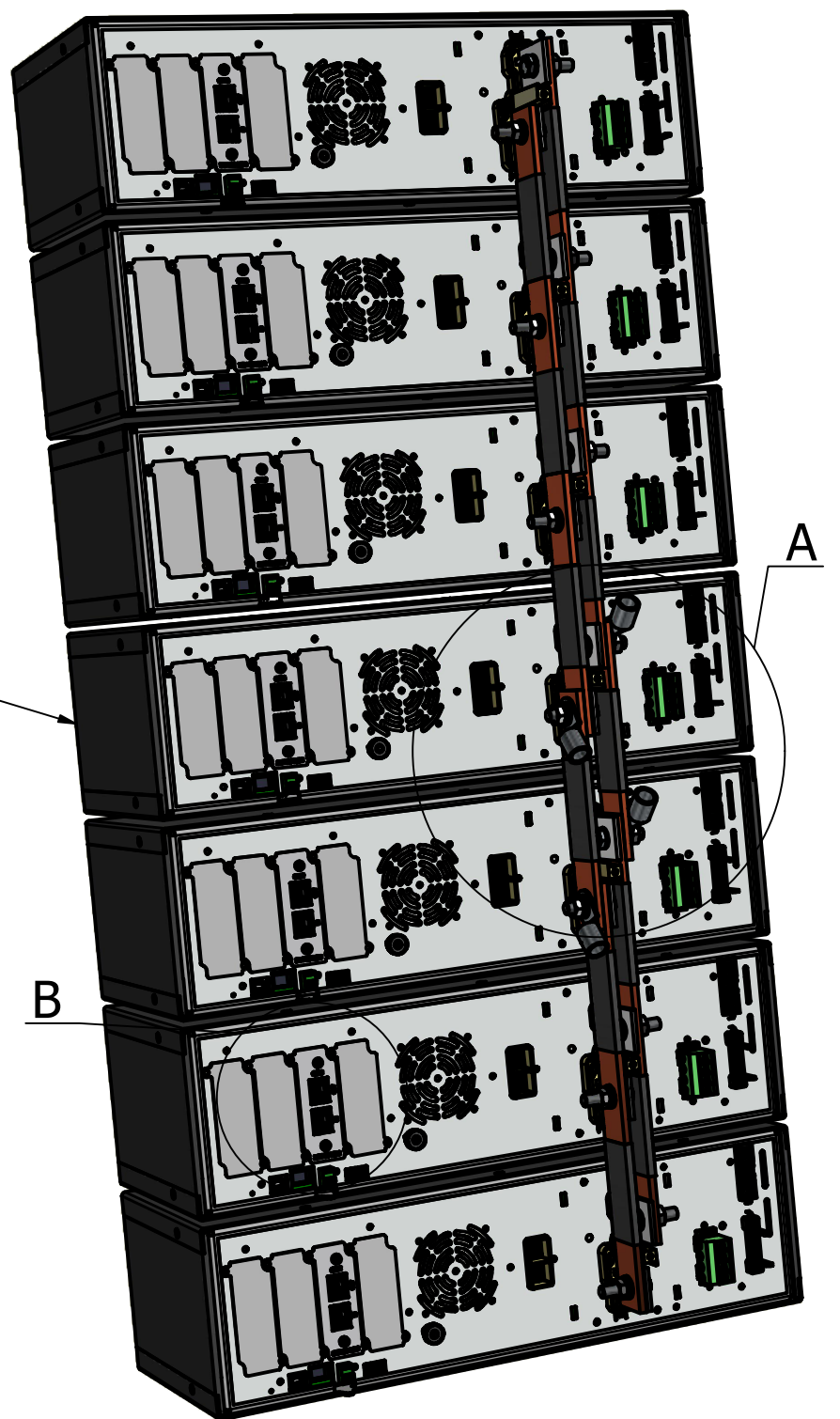
A3  
SHEET 1-2







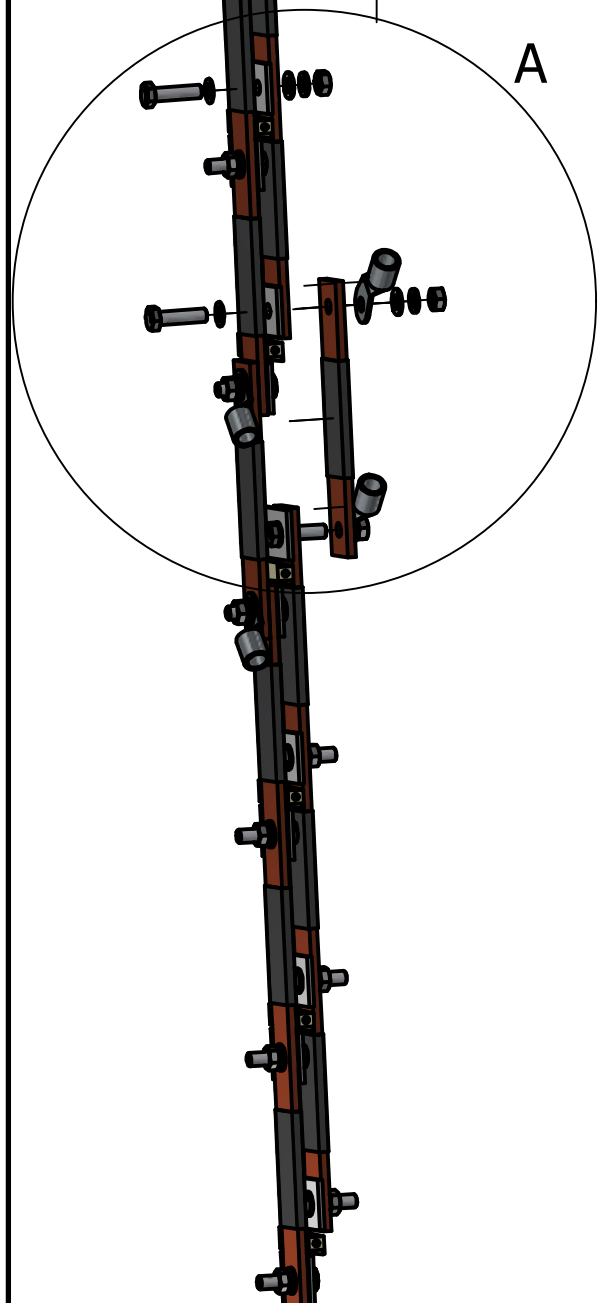
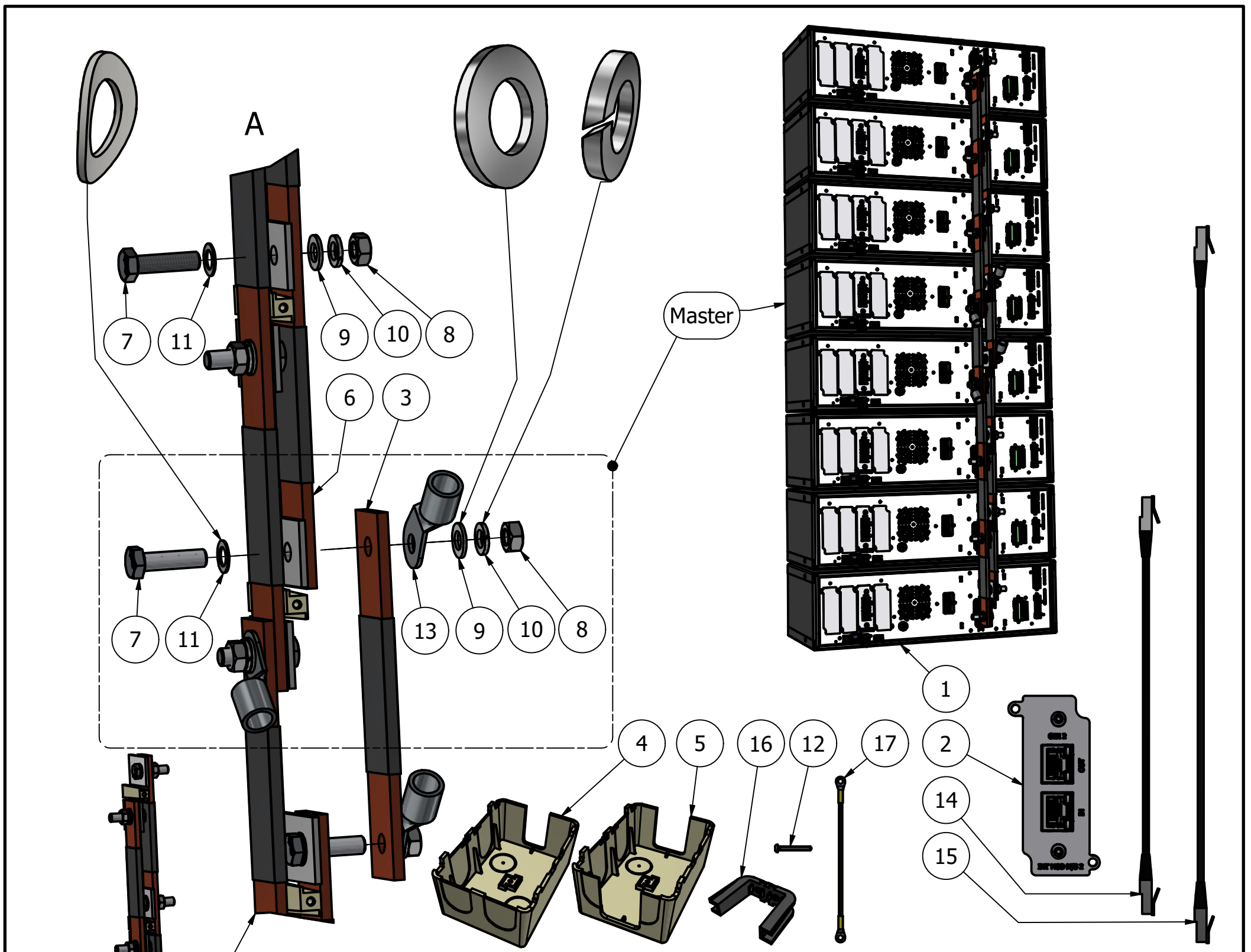
**MASTER**



SM500-CP-90 (7x)  
 OR  
 SMI000-CP-45 (7x)  
 OR  
 SMI500-CP-30 (7x)

			SURFACE TREATMENT:	MAT:
				DIM: mm Tol.: ± 0.2
			NAME DESIGNER	Delta Elektronika B.V.
			S.Janse	VISSERSDIJK 4
			DATE	4301 ND ZIERIKZEE
			23-04-2024	NETHERLANDS
REVISIONS	DATE	NAME	TITLE: MASTER SLAVE	
REMARK:			assembly 7 units	
			DWG	A3
				SHEET 2-2





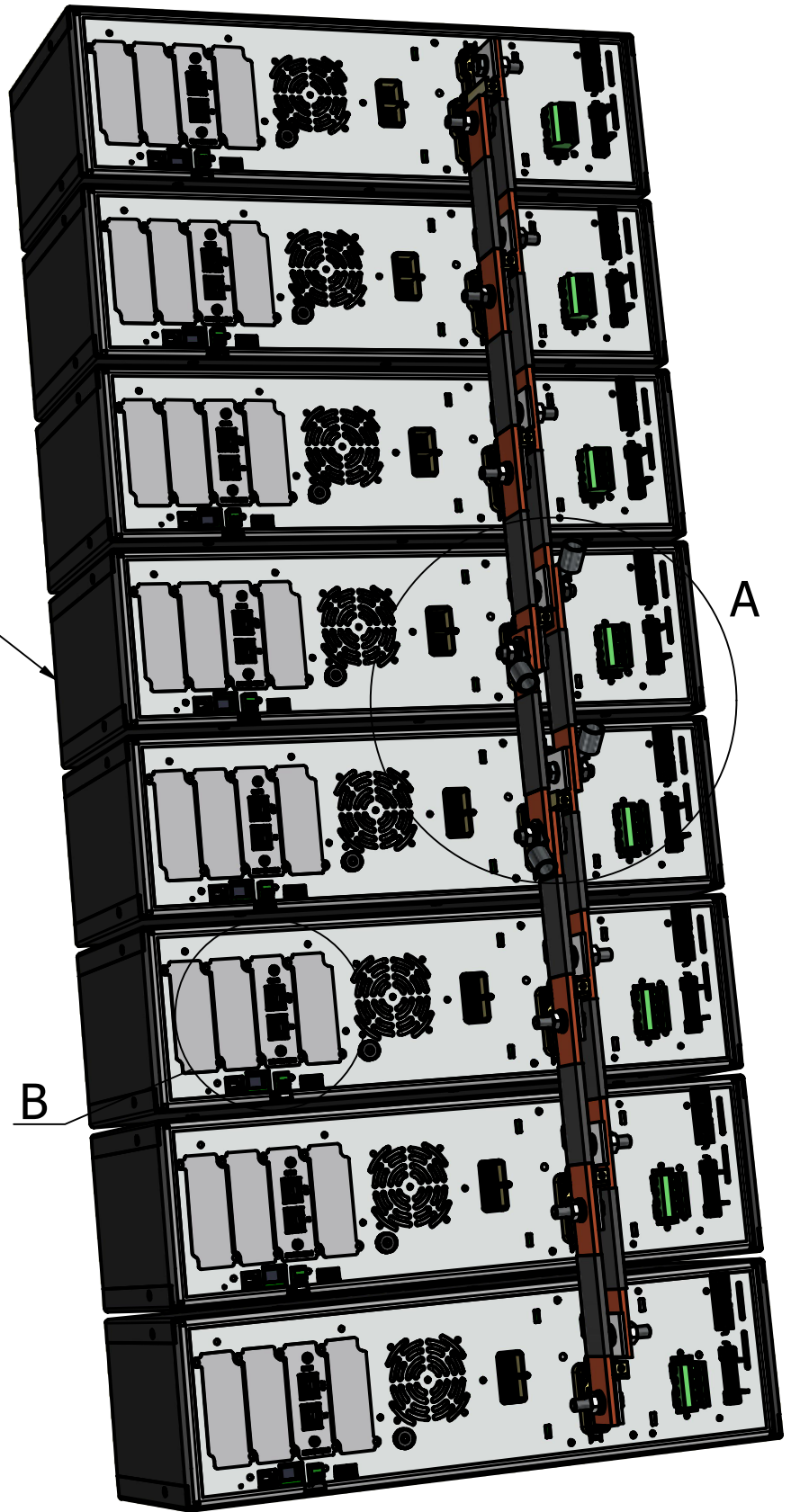
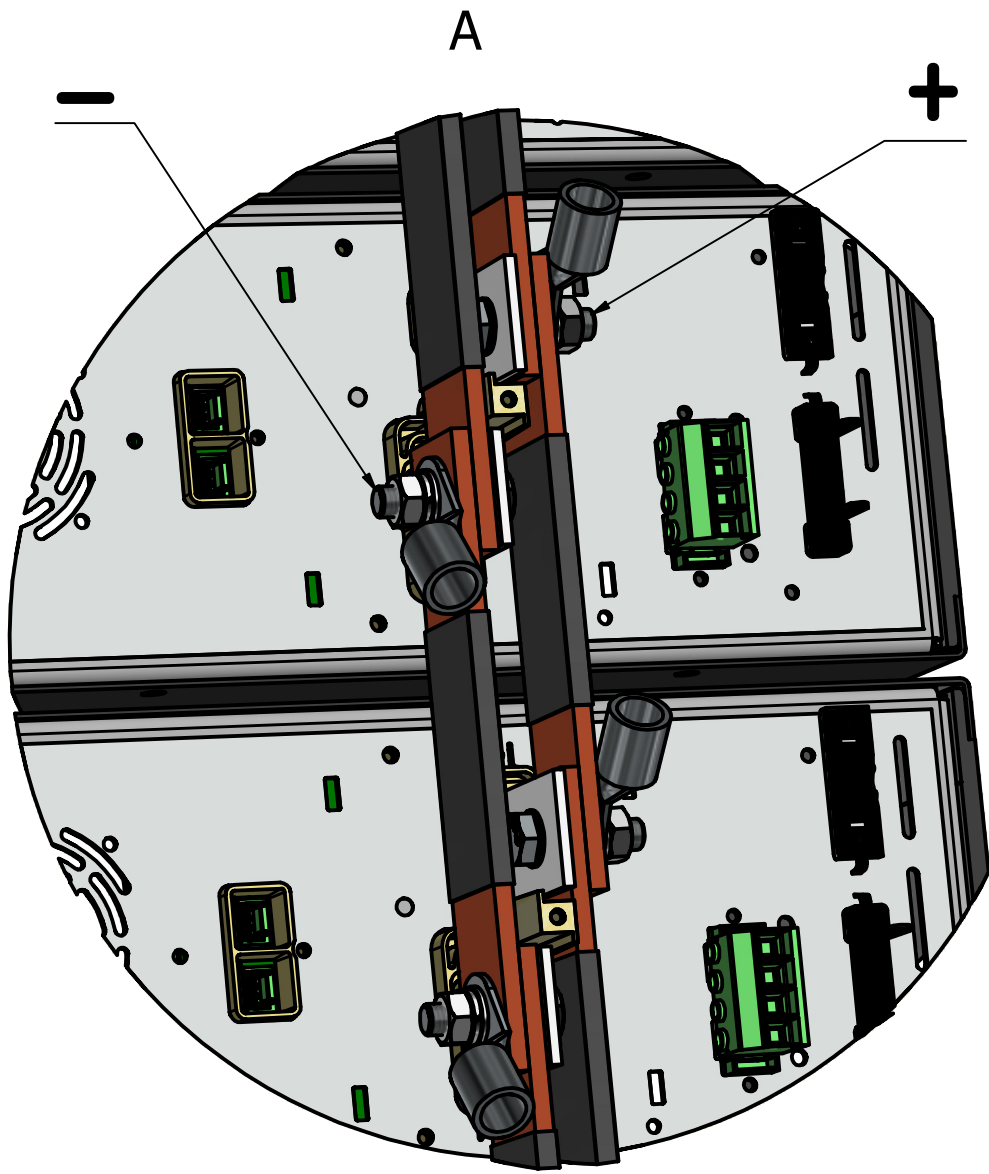
\* ORDER SEPARATELY

PARTS LIST

M/S PAR SET C8	ITEM	QTY	STOCK NUMBER	DESCRIPTION
*	1	8	SM500-CP-90 SM1000-CP-45 SM1500-CP-30	power unit
*	2	8	int mod ms 2	interface m/s gen 2
v	3	2	dwg2530	m/s strip 1 2 units
v	4	2	dwg2532	cover output parallel 1
v	5	6	dwg2533	cover output parallel 2
v	6	4	dwg2534	m/s strip 3 4 units
	7	16	M8x30SG DIN933	screw M8X30 SG DIN933 10.9/Geomet-500
	8	16	M8 A2 DIN934	nut M8 A2
	9	16	M8 A2 DIN125A	washer M8 A2
	10	16	M8 A2 DIN127B	lock washer A2
v	11	16	M8 SZ DIN137B	crinkle washer
	12	8	PT3.5x30 A2 T10	D-PT 3.5x30 ro he A2 T10 selftap
	13	4	Not supplied	Load cable cable lug M8
v	14	7	CBL P SFTP 0.5 BK	patchcable BK 0.5m RJ45
v	15	1	CBL P SFTP 1 BK	patchcable BK 1m RJ45
v	16	7	DWG2560	cover output strips m/s
v	17	7	DWG2603	earth cable m/s

REVISIONS	DATE	NAME	SURFACE TREATMENT:	MAT:
REMARK:				DIM: mm Tol.: ± 0.2
			NAME DESIGNER	Delta Elektronika B.V.
			S.Janse	VISSERSDIJK 4
			DATE	4301 ND ZIERIKZEE
			23-04-2024	NETHERLANDS
TITLE: MASTER SLAVE assembly 8 units			DWG	
			A3	
			SHEET 1-2	

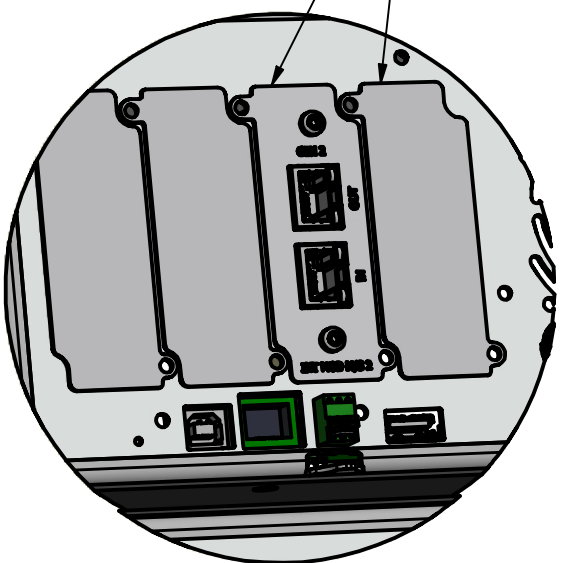




**MASTER**

B

INT MOD M/S 2  
POSITION :  
SLOT 3 OR 4

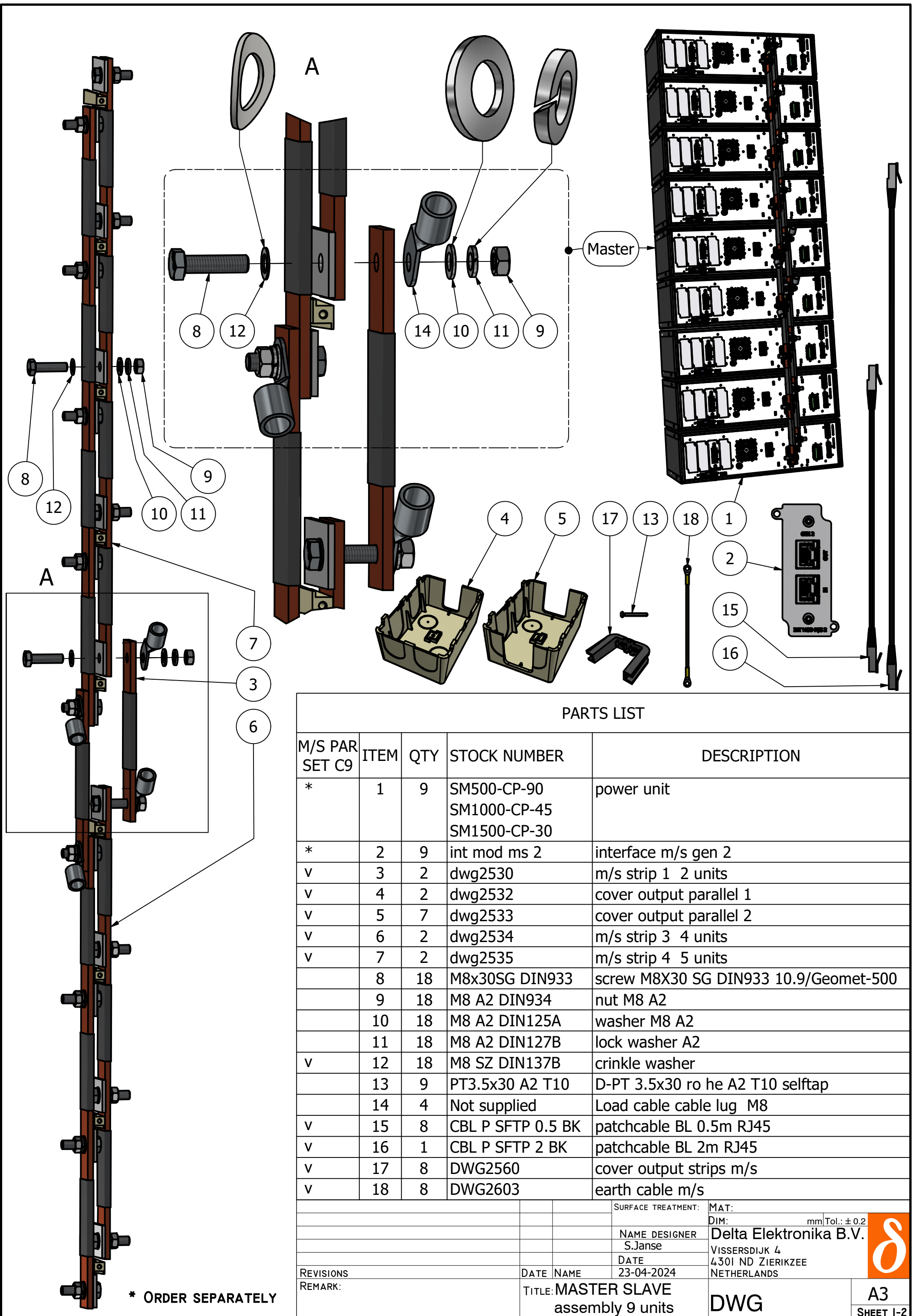


SM500-CP-90 (8x)  
OR  
SMI000-CP-45 (8x)  
OR  
SMI500-CP30 (8x)

			SURFACE TREATMENT:	MAT:
				DIM: mm Tol.: ± 0.2
			NAME DESIGNER	Delta Elektronika B.V.
			S.Janse	VISSERSDIJK 4
			DATE	4301 ND ZIERIKZEE
			23-04-2024	NETHERLANDS
REVISIONS	DATE	NAME	TITLE: MASTER SLAVE	
REMARK:			assembly 8 units	
			DWG	A3
				SHEET 2-2







PARTS LIST

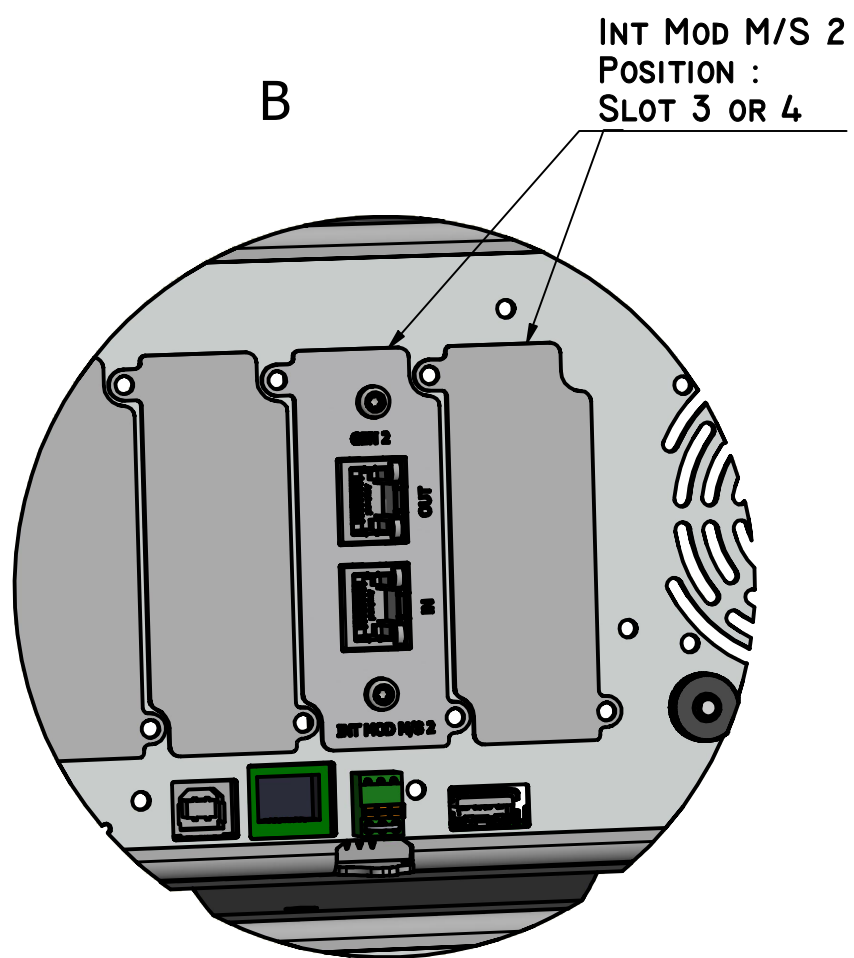
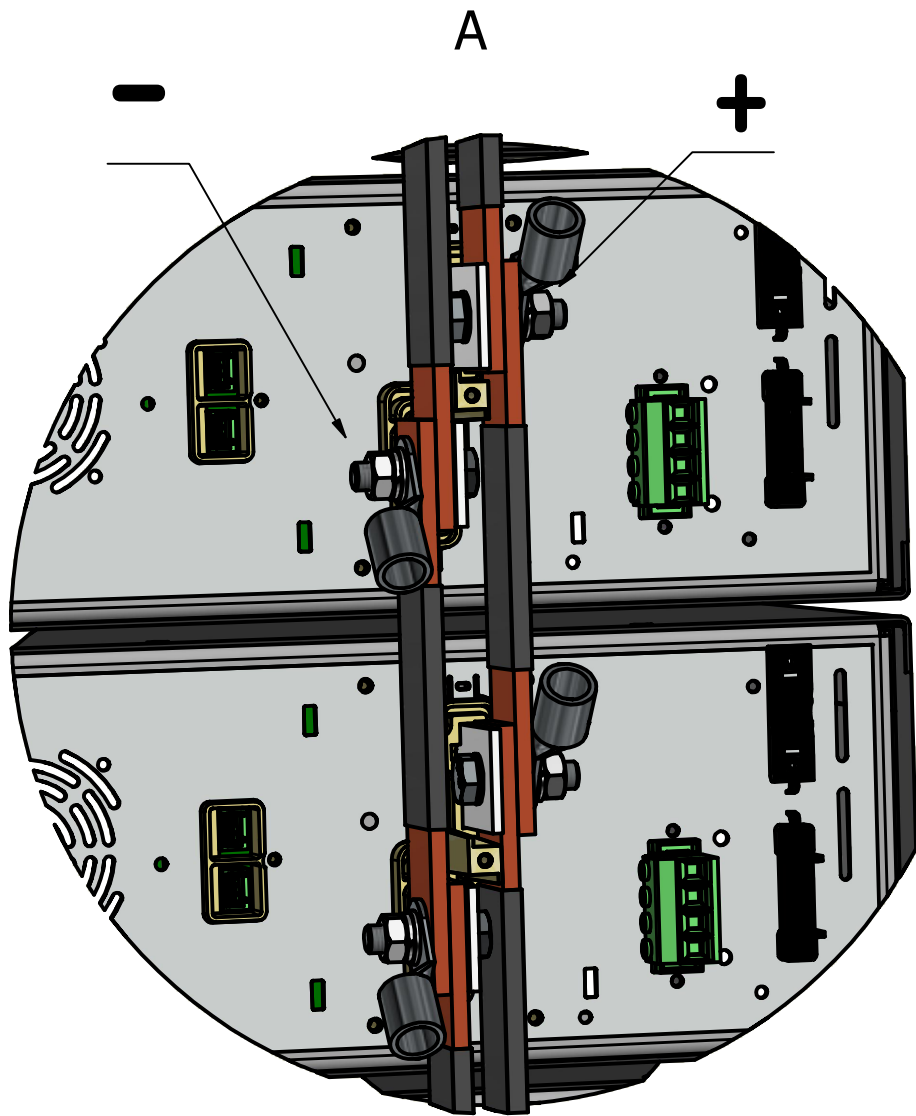
M/S PAR SET C9	ITEM	QTY	STOCK NUMBER	DESCRIPTION
*	1	9	SM500-CP-90 SM1000-CP-45 SM1500-CP-30	power unit
*	2	9	int mod ms 2	interface m/s gen 2
v	3	2	dwg2530	m/s strip 1 2 units
v	4	2	dwg2532	cover output parallel 1
v	5	7	dwg2533	cover output parallel 2
v	6	2	dwg2534	m/s strip 3 4 units
v	7	2	dwg2535	m/s strip 4 5 units
	8	18	M8x30SG DIN933	screw M8X30 SG DIN933 10.9/Geomet-500
	9	18	M8 A2 DIN934	nut M8 A2
	10	18	M8 A2 DIN125A	washer M8 A2
	11	18	M8 A2 DIN127B	lock washer A2
v	12	18	M8 SZ DIN137B	crinkle washer
	13	9	PT3.5x30 A2 T10	D-PT 3.5x30 ro he A2 T10 selftap
	14	4	Not supplied	Load cable cable lug M8
v	15	8	CBL P SFTP 0.5 BK	patchcable BL 0.5m RJ45
v	16	1	CBL P SFTP 2 BK	patchcable BL 2m RJ45
v	17	8	DWG2560	cover output strips m/s
v	18	8	DWG2603	earth cable m/s

\* ORDER SEPARATELY

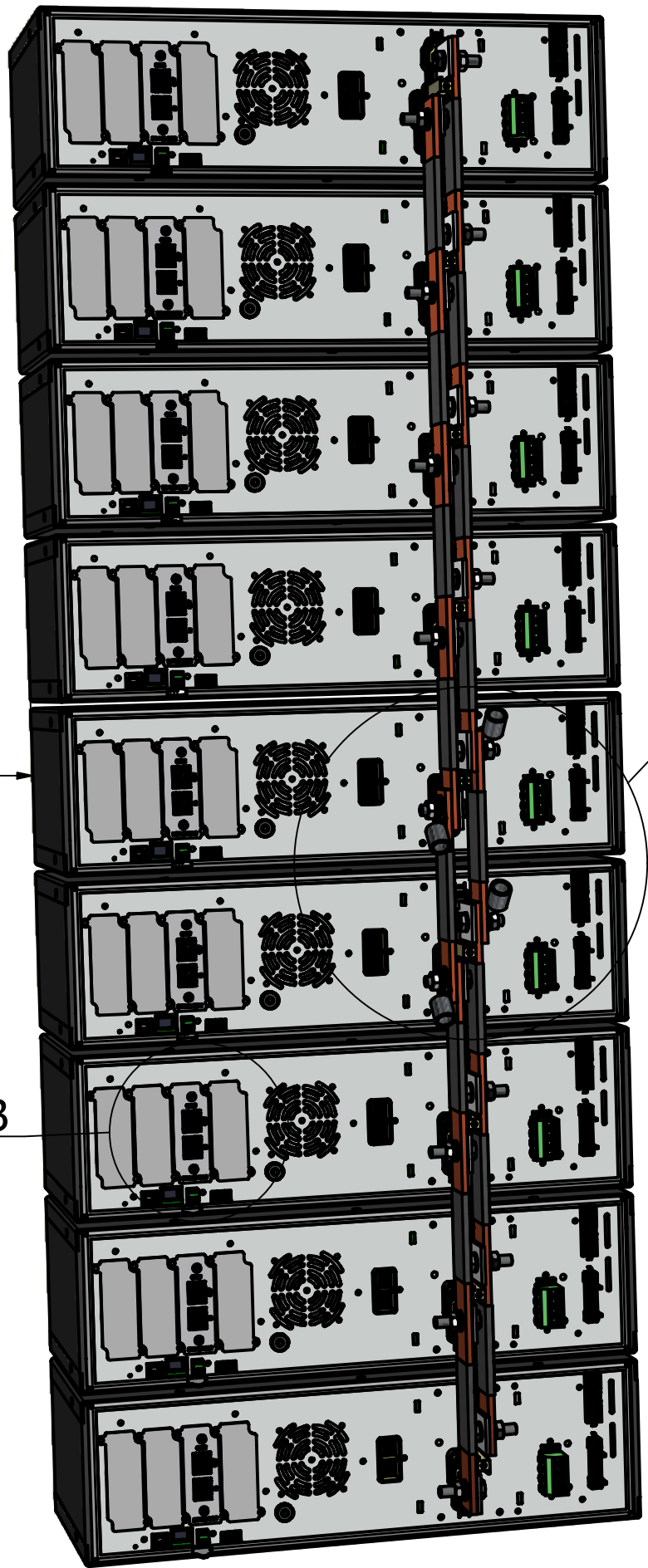
REVISIONS	DATE	NAME	SURFACE TREATMENT:	MAT:
REMARK:				DIM: mm Tol.: ± 0.2
			NAME DESIGNER	Delta Elektronika B.V.
			S.Janse	VISSERSDIJK 4
			DATE	4301 ND ZIERIKZEE
			23-04-2024	NETHERLANDS
TITLE: MASTER SLAVE assembly 9 units			DWG	
			A3	
			SHEET 1-2	







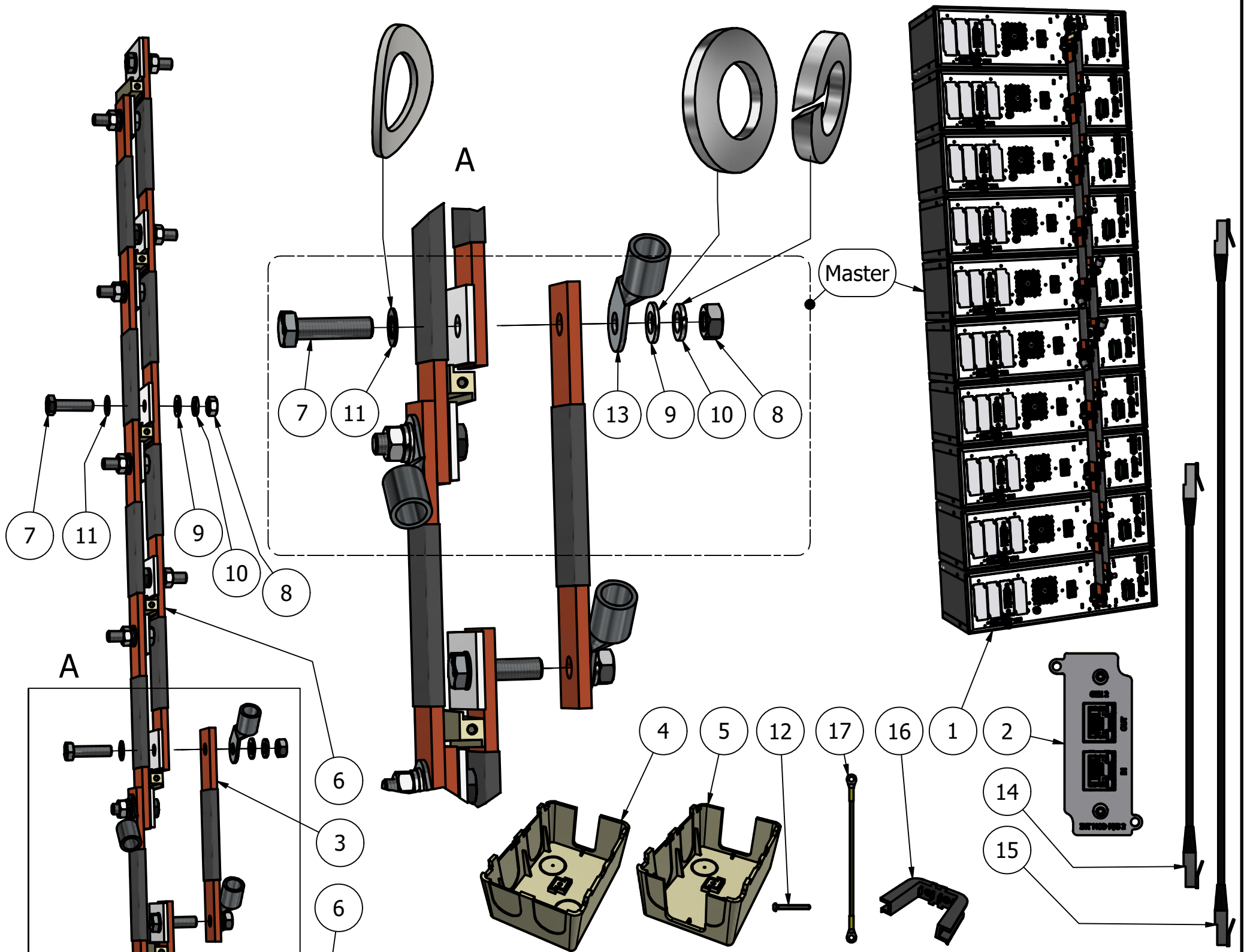
**MASTER**



SM500-CP-90 (9x)  
 OR  
 SMI000-CP-45 (9x)  
 OR  
 SMI500-CP-30 (9x)

			SURFACE TREATMENT:	MAT:
				DIM: mm Tol.: ± 0.2
			NAME DESIGNER	Delta Elektronika B.V.
			S.Janse	VISSERSDIJK 4
			DATE	4301 ND ZIERIKZEE
			23-04-2024	NETHERLANDS
REVISIONS	DATE	NAME	TITLE: MASTER SLAVE	
REMARK:			assembly 9 units	
			DWG	A3
				SHEET 2-2





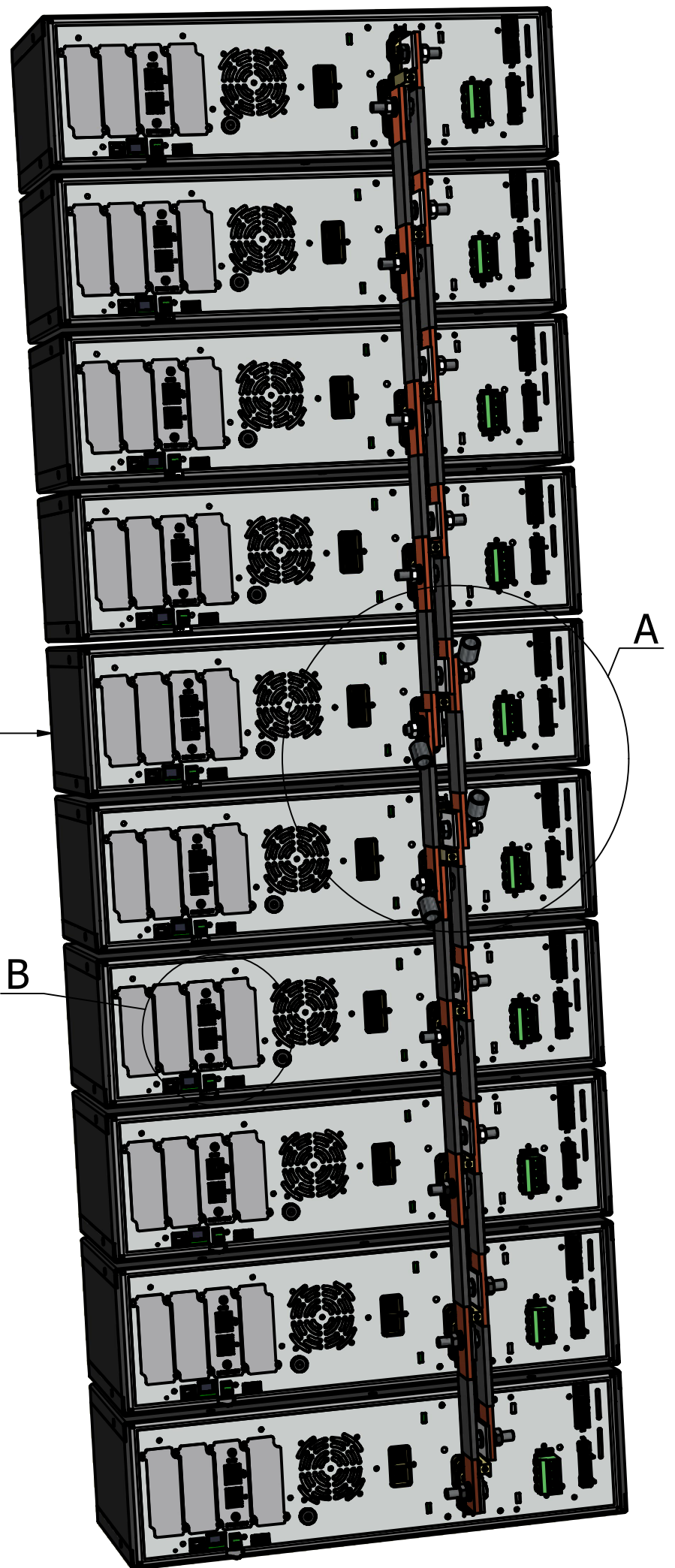
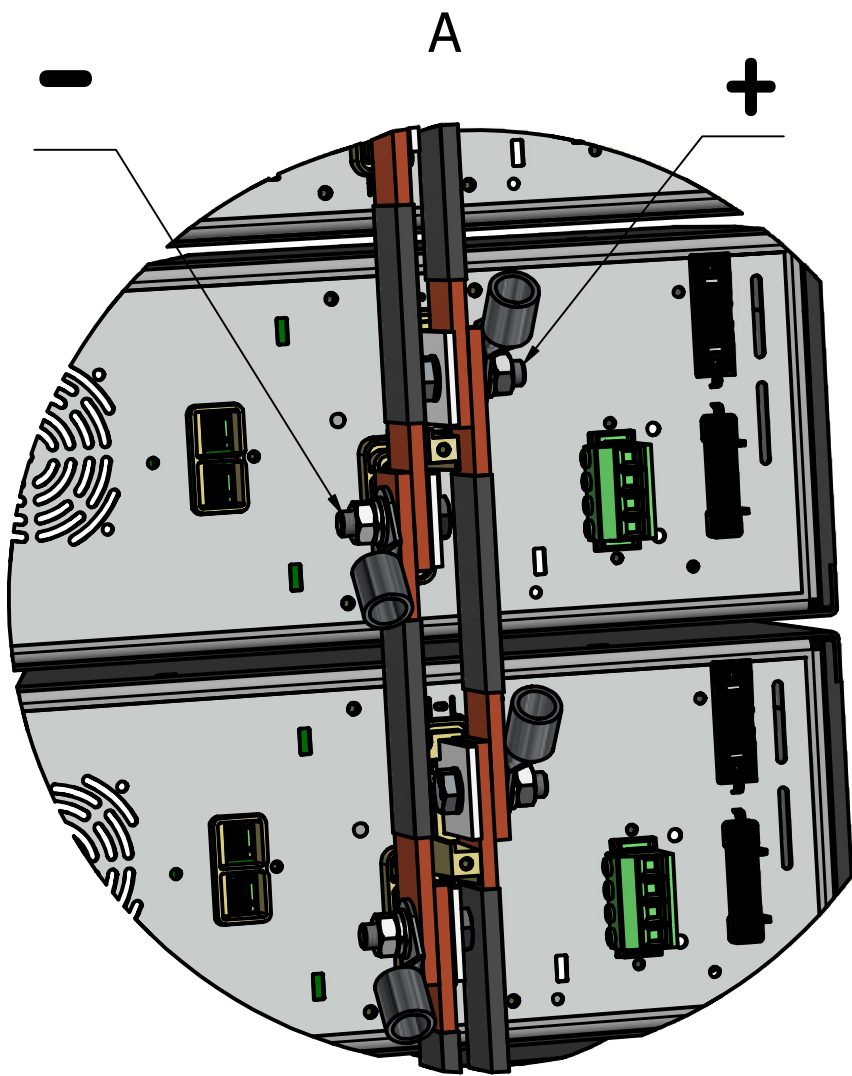
PARTS LIST

M/S PAR SET C10	ITEM	QTY	STOCK NUMBER	DESCRIPTION
*	1	10	SM500-CP-90 SM1000-CP-45 SM1500-CP-30	power unit
*	2	10	int mod ms 2	interface m/s gen 2
v	3	2	dwg2530	m/s strip 1 2 units
v	4	2	dwg2532	cover output parallel 1
v	5	8	dwg2533	cover output parallel 2
v	6	4	dwg2535	m/s strip 4 5 units
	7	20	M8x30SG DIN933	screw M8X30 SG DIN933 10.9/Geomet-500
	8	20	M8 A2 DIN934	nut M8 A2
	9	20	M8 A2 DIN125A	washer M8 A2
	10	20	M8 A2 DIN127B	lock washer A2
v	11	20	M8 SZ DIN137B	crinkle washer
	12	10	PT3.5x30 A2 T10	D-PT 3.5x30 ro he A2 T10 selftap
	13	4	Not supplied	Load cable cable lug M8
v	14	9	CBL P SFTP 0.5 BK	patchcable BL 0.5m RJ45
v	15	1	CBL P SFTP 2 BK	patchcable BL 2m RJ45
v	16	9	DWG2560	cover output strips m/s
v	17	9	DWG2603	earth cable m/s

\* ORDER SEPARATELY

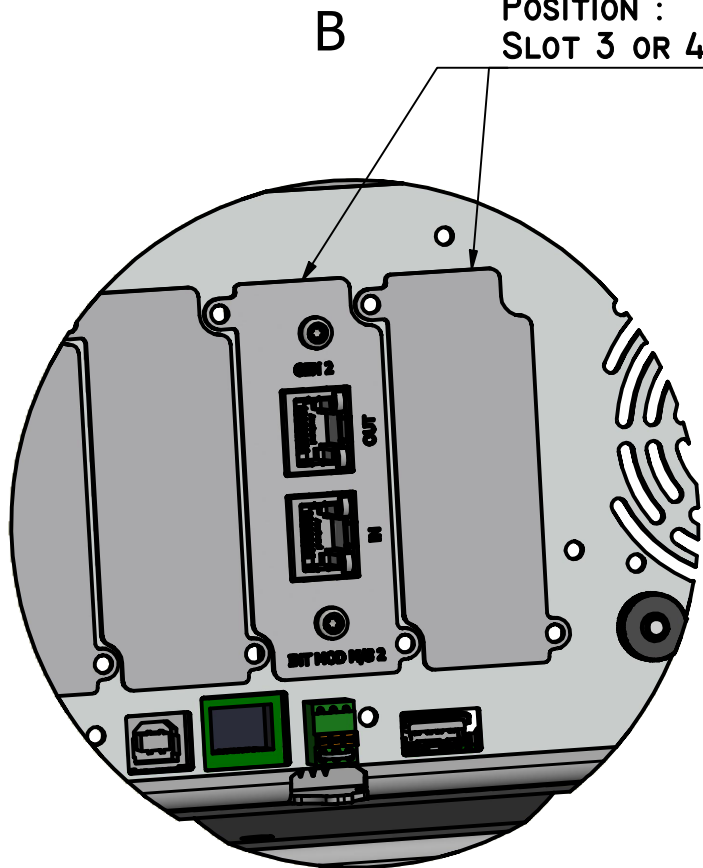
REVISIONS	DATE	NAME	SURFACE TREATMENT:	MAT:
REMARK:				DIM: mm Tol.: ± 0.2
			NAME DESIGNER	Delta Elektronika B.V.
			S.Janse	VISSERSDIJK 4
			DATE	4301 ND ZIERIKZEE
			23-04-2024	NETHERLANDS
TITLE: MASTER SLAVE assembly 10 units			DWG	
			A3	
			SHEET 1-2	





**MASTER**

INT MOD M/S 2  
POSITION :  
SLOT 3 OR 4

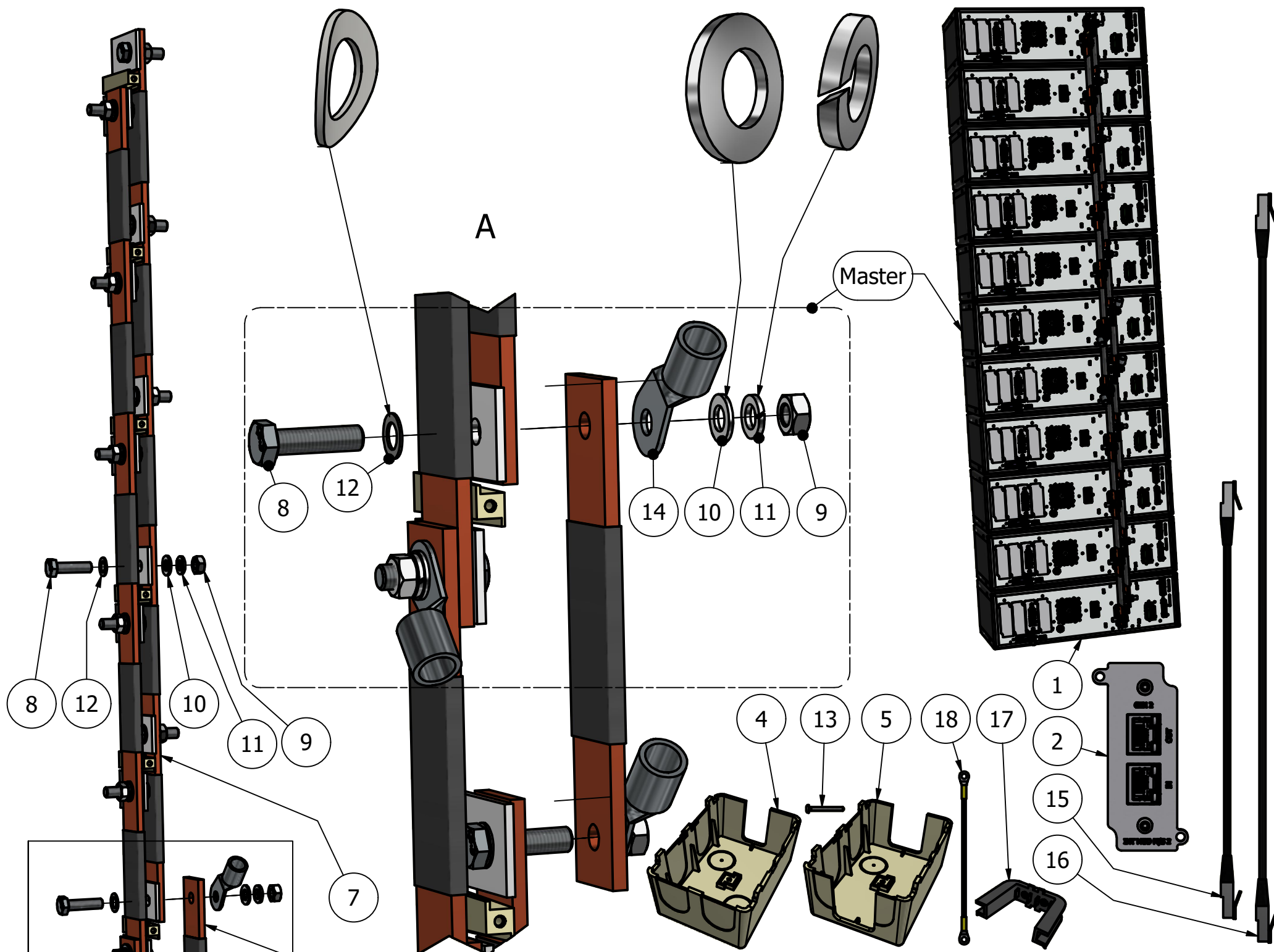


SM500-CP-90 (10x)  
OR  
SMI000-CP-45 (10x)  
OR  
SMI500-CP-30 (10x)

			SURFACE TREATMENT:	MAT:
				DIM: mm Tol.: ± 0.2
			NAME DESIGNER	Delta Elektronika B.V.
			S.Janse	VISSERSDIJK 4
			DATE	4301 ND ZIERIKZEE
			23-04-2024	NETHERLANDS
REVISIONS	DATE	NAME	TITLE: MASTER SLAVE	
REMARK:			assembly 10 units	
			DWG	A3
				SHEET 2-2







PARTS LIST

M/S PAR SET C11	ITEM	QTY	STOCK NUMBER	DESCRIPTION
*	1	11	SM500-CP-90 SM1000-CP-45 SM1500-CP-30	power unit
*	2	11	int mod ms 2	interface m/s gen 2
v	3	2	dwg2530	m/s strip 1 2 units
v	4	2	dwg2532	cover output parallel 1
v	5	9	dwg2533	cover output parallel 2
v	6	2	dwg2535	m/s strip 4 5 units
v	7	2	dwg2536	m/s strip 5 6 units
	8	22	M8x30SG DIN933	screw M8X30 SG DIN933 10.9/Geomet-500
	9	22	M8 A2 DIN934	nut M8 A2
	10	22	M8 A2 DIN125A	washer M8 A2
	11	22	M8 A2 DIN127B	lock washer A2
v	12	22	M8 SZ DIN137B	crinkle washer
	13	11	PT3.5x30 A2 T10	D-PT 3.5x30 ro he A2 T10 selftap
	14	4	cabl lug 12mm-M8	cabl lug M8x50
v	15	10	CBL P SFTP 0.5 BK	patchcable BL 0.5m RJ45
v	16	1	CBL P SFTP 2 BK	patchcable 0.5m RJ45
v	17	10	DWG2560	cover output strips m/s
v	18	10	DWG2603	earth cable m/s

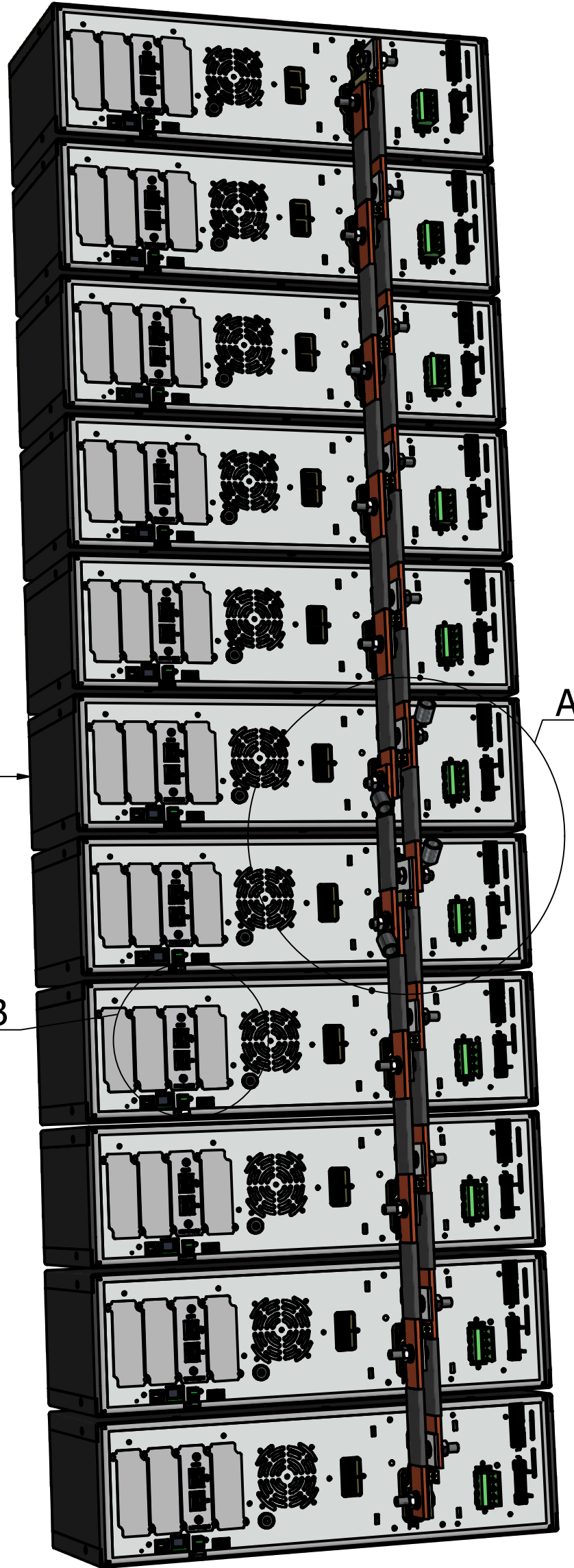
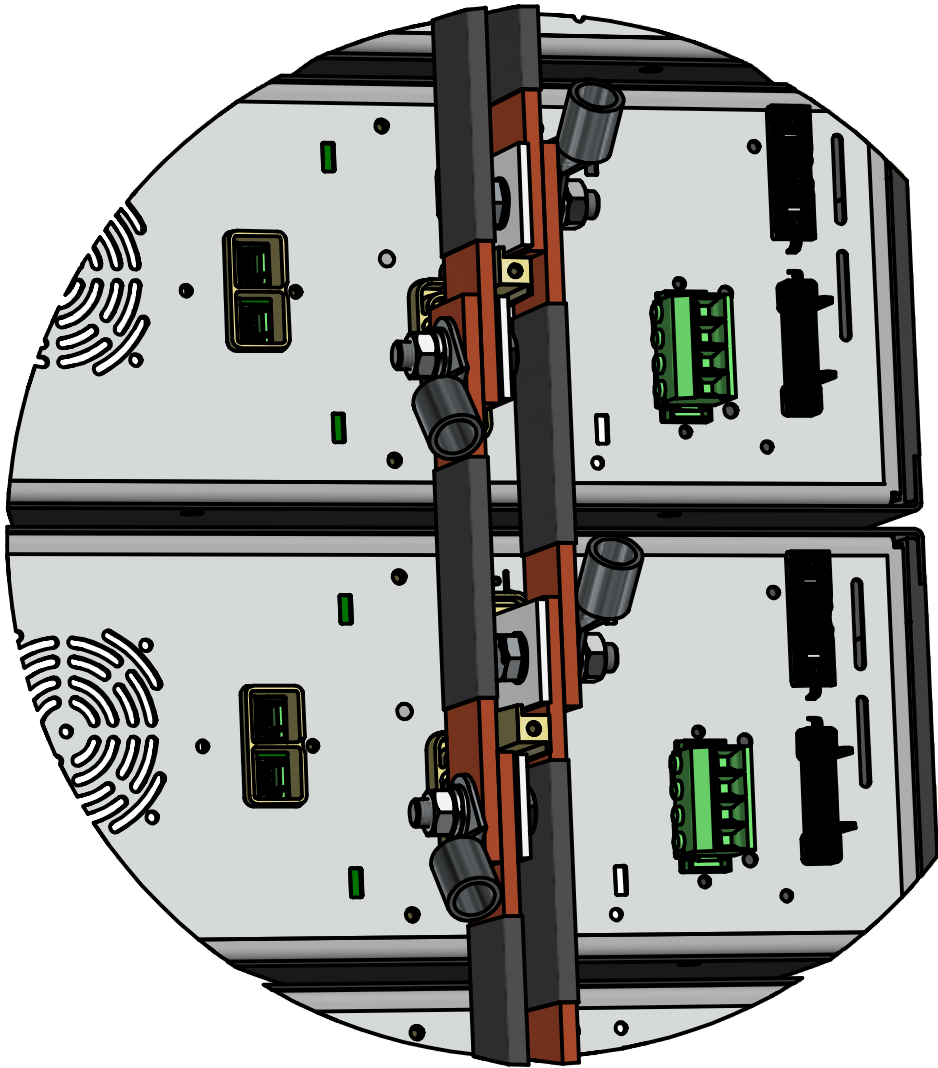
\* ORDER SEPARATELY

REVISIONS	DATE	NAME	SURFACE TREATMENT:	MAT:
REMARK:				DIM: mm Tol.: ± 0.2
			NAME DESIGNER	Delta Elektronika B.V.
			S.Janse	VISSERSDIJK 4
			DATE	4301 ND ZIERIKZEE
			23-04-2024	NETHERLANDS
TITLE: MASTER SLAVE assembly 11 units			DWG	A3 SHEET 1-2





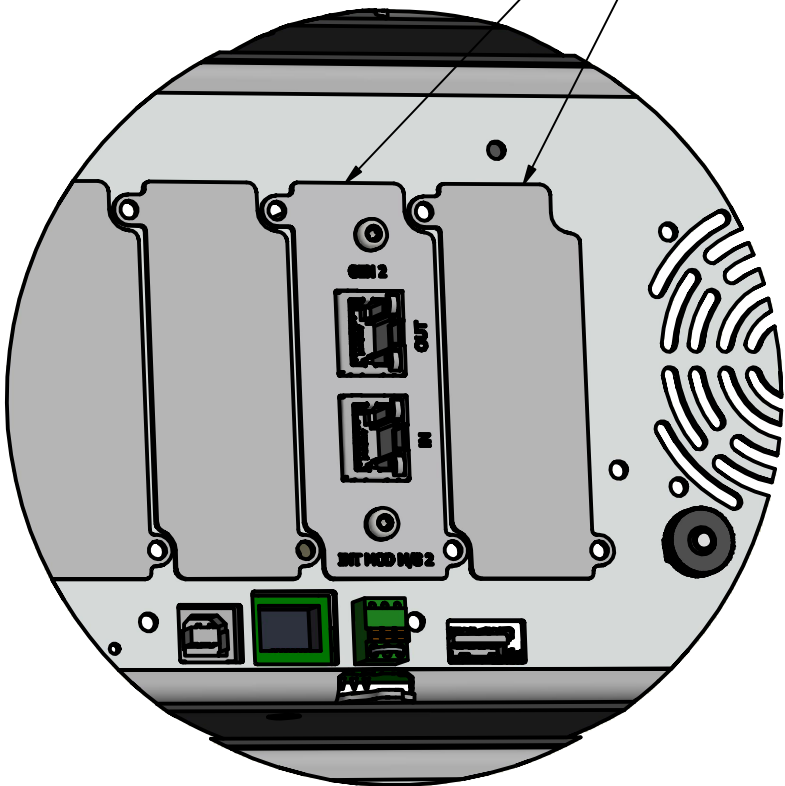
A



MASTER

B

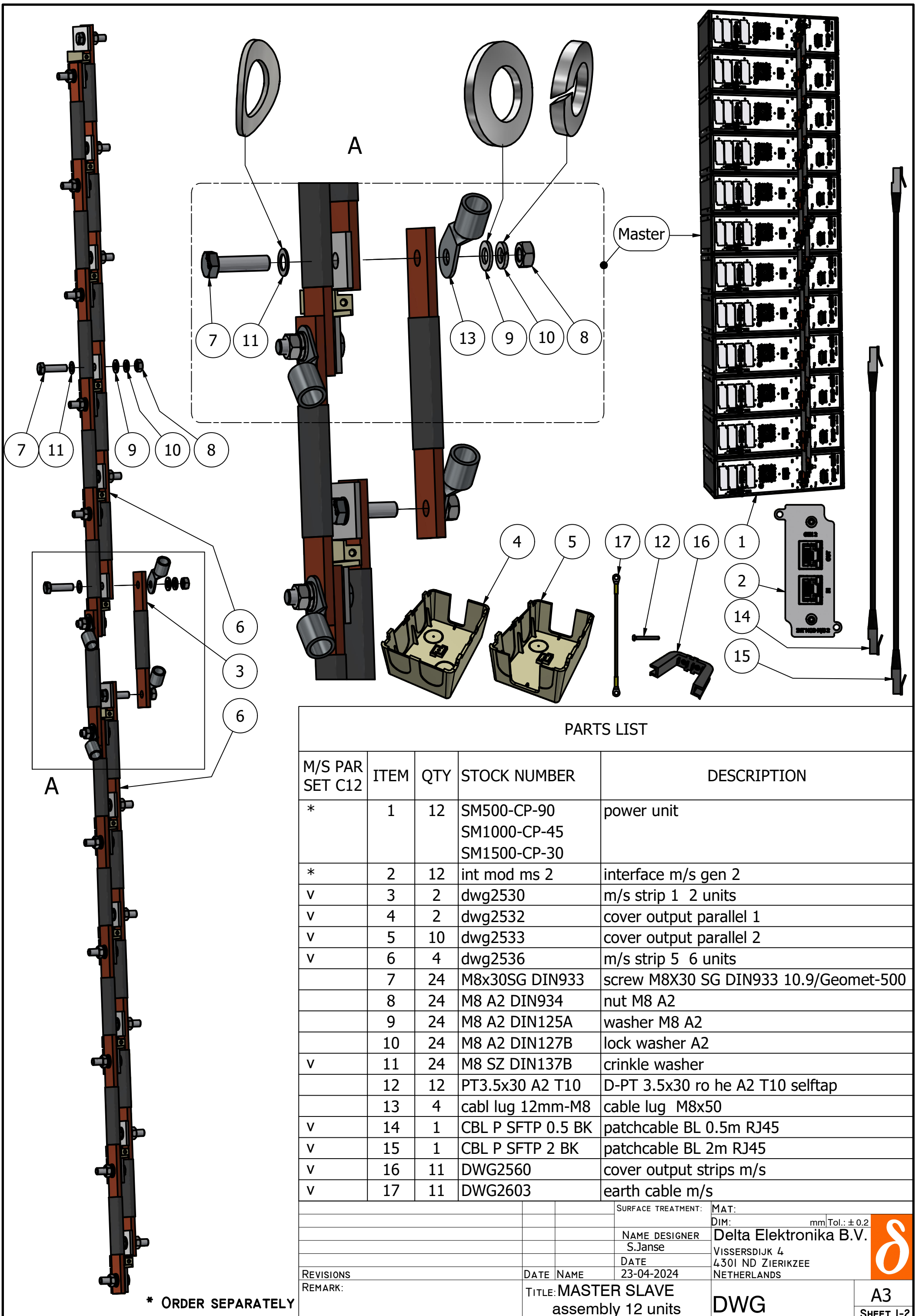
INT MOD M/S 2  
POSITION :  
SLOT 3 OR 4



SM500-CP-90 (IIX)  
OR  
SMI000-CP-45 (IIX)  
OR  
SMI500-CP-30 (IIX)

			SURFACE TREATMENT:	MAT:
				DIM: mm Tol.: ± 0.2
			NAME DESIGNER	Delta Elektronika B.V.
			S.Janse	VISSERSDIJK 4
			DATE	4301 ND ZIERIKZEE
			23-04-2024	NETHERLANDS
REVISIONS	DATE	NAME	TITLE: MASTER SLAVE	
REMARK:			assembly 11 units	
			DWG	A3
				SHEET 2-2





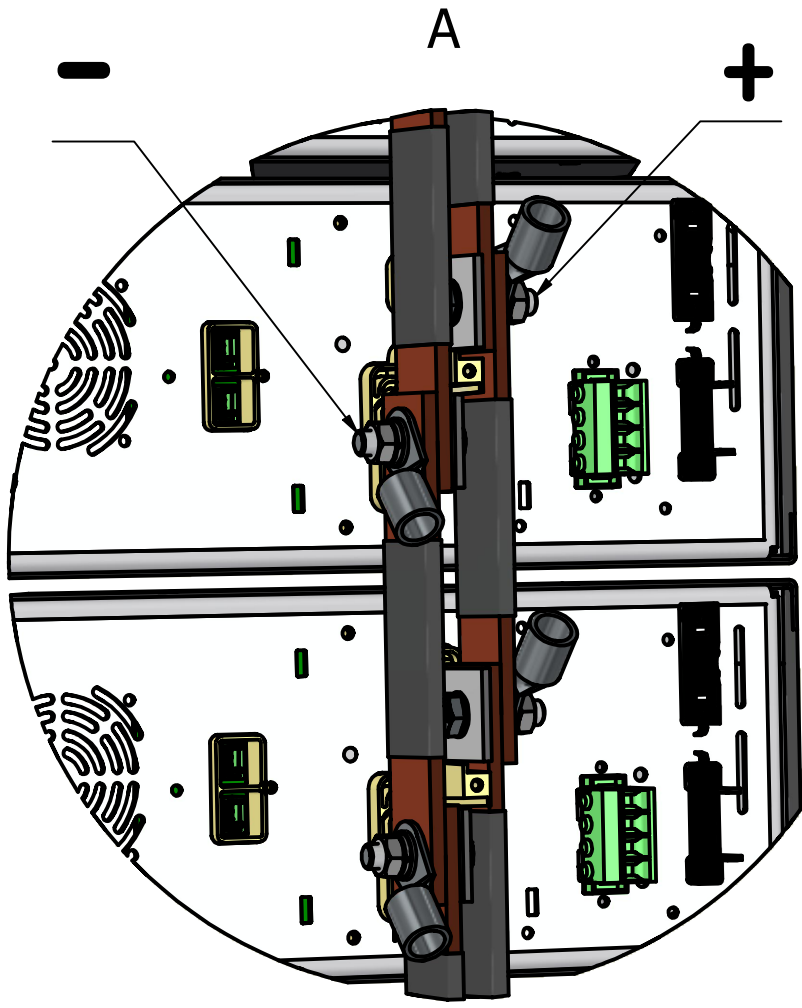
PARTS LIST

M/S PAR SET C12	ITEM	QTY	STOCK NUMBER	DESCRIPTION
*	1	12	SM500-CP-90 SM1000-CP-45 SM1500-CP-30	power unit
*	2	12	int mod ms 2	interface m/s gen 2
v	3	2	dwg2530	m/s strip 1 2 units
v	4	2	dwg2532	cover output parallel 1
v	5	10	dwg2533	cover output parallel 2
v	6	4	dwg2536	m/s strip 5 6 units
	7	24	M8x30SG DIN933	screw M8X30 SG DIN933 10.9/Geomet-500
	8	24	M8 A2 DIN934	nut M8 A2
	9	24	M8 A2 DIN125A	washer M8 A2
	10	24	M8 A2 DIN127B	lock washer A2
v	11	24	M8 SZ DIN137B	crinkle washer
	12	12	PT3.5x30 A2 T10	D-PT 3.5x30 ro he A2 T10 selftap
	13	4	cabl lug 12mm-M8	cabl lug M8x50
v	14	1	CBL P SFTP 0.5 BK	patchcable BL 0.5m RJ45
v	15	1	CBL P SFTP 2 BK	patchcable BL 2m RJ45
v	16	11	DWG2560	cover output strips m/s
v	17	11	DWG2603	earth cable m/s

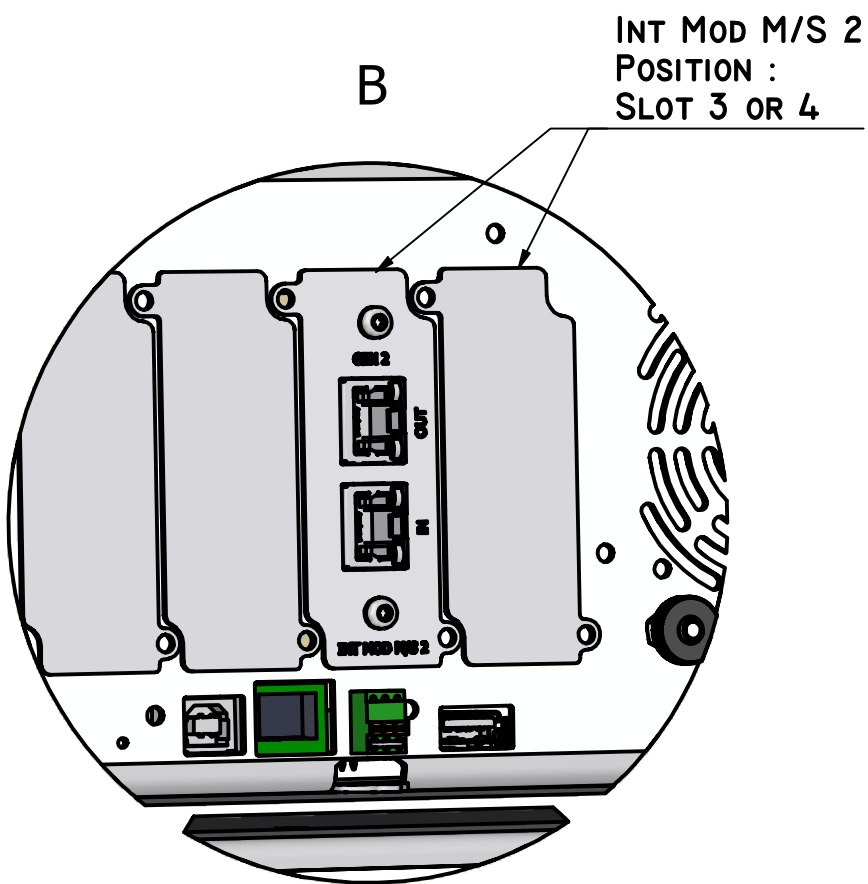
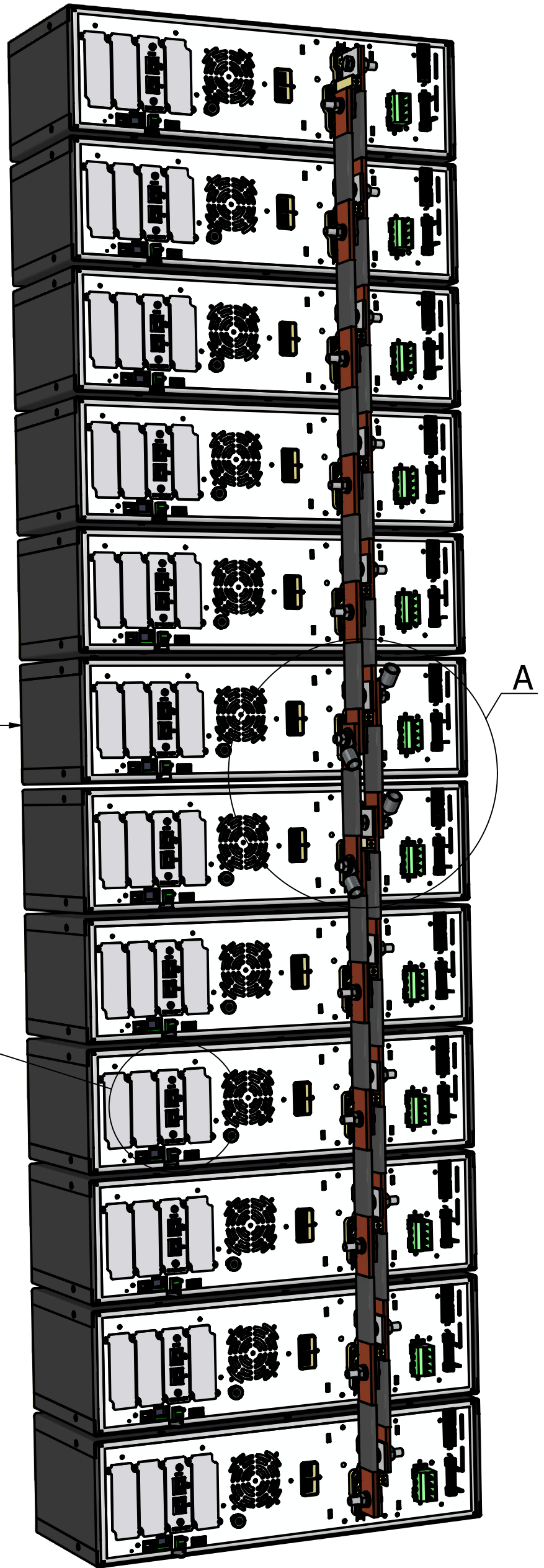
REVISIONS	DATE	NAME	SURFACE TREATMENT:	MAT:
REMARK:				DIM: mm Tol.: ± 0.2
			NAME DESIGNER	Delta Elektronika B.V.
			S.Janse	VISSERSDIJK 4
			DATE	4301 ND ZIERIKZEE
			23-04-2024	NETHERLANDS
TITLE: MASTER SLAVE assembly 12 units			DWG	A3
				SHEET 1-2

\* ORDER SEPARATELY





MASTER



INT MOD M/S 2  
POSITION :  
SLOT 3 OR 4

SM500-CP-90 (12x)  
OR  
SMI000-CP-45 (12x)  
OR  
SMI500-CP-30 (12x)

			SURFACE TREATMENT:	MAT:
				DIM: mm Tol.: ± 0.2
			NAME DESIGNER	Delta Elektronika B.V.
			S.Janse	VISSERSDIJK 4
			DATE	4301 ND ZIERIKZEE
			23-04-2024	NETHERLANDS
REVISIONS	DATE	NAME	TITLE: MASTER SLAVE	
REMARK:			assembly 12 units	
			DWG	A3
				SHEET 2-2

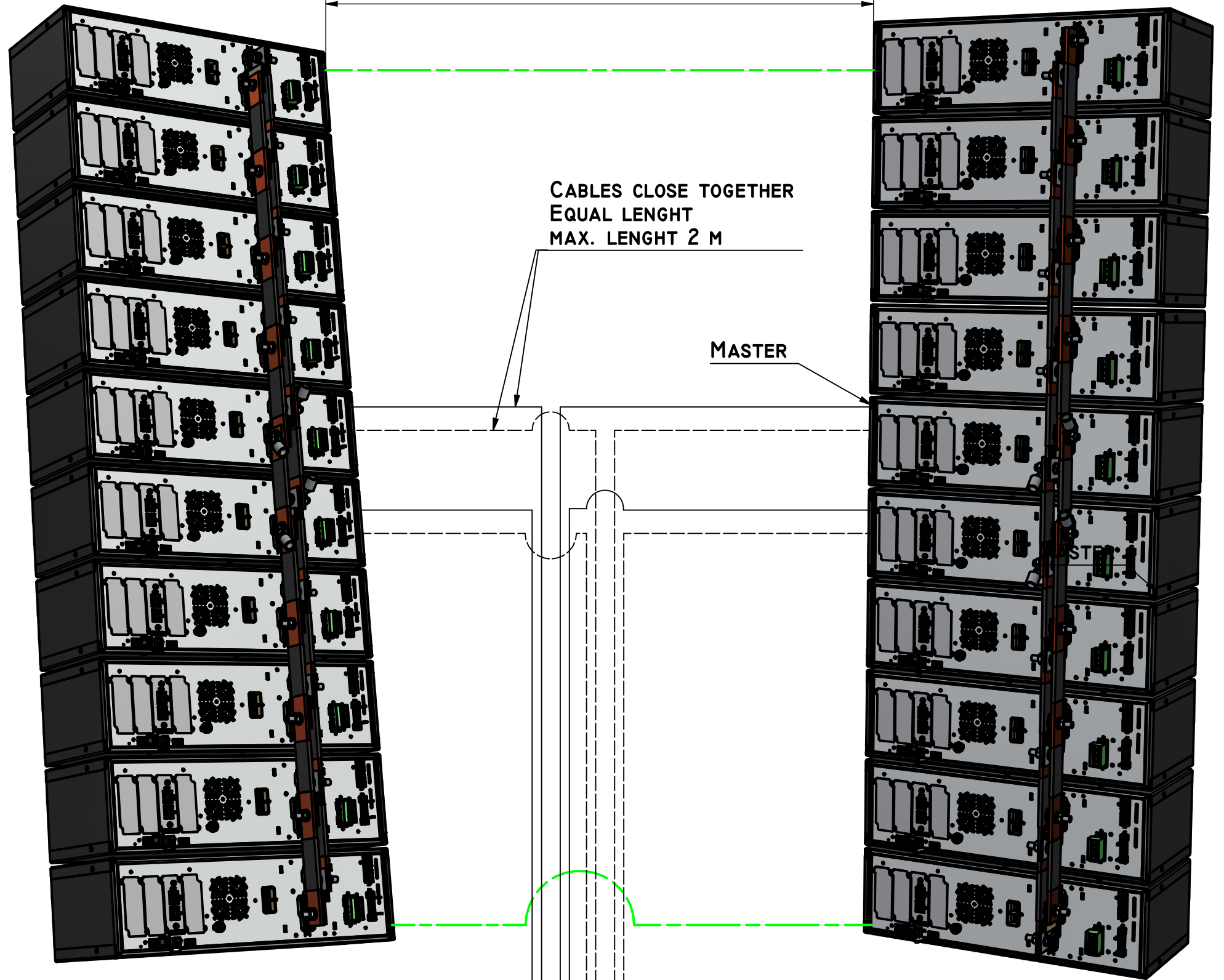




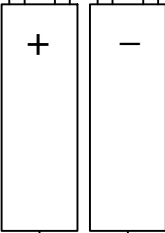
MAX. DISTANCE BETWEEN RACKS | M  
DUE TO COMMUNICATION CABLE

CABLES CLOSE TOGETHER  
EQUAL LENGTH  
MAX. LENGTH 2 M

MASTER



— + cables  
- - - - - cables  
- - - - - earth cable



To Load

SM500-CP-90 (2x6 TO 10 PARALLEL UNITS)  
OR  
SMI000-CP-45 (2x6 TO 10 PARALLEL UNITS)  
OR  
SMI500-CP-30 (2x6 TO 10 PARALLEL UNITS)

			SURFACE TREATMENT:	MAT:
				DIM: mm Tol.: ± 0.2
			NAME DESIGNER	Delta Elektronika B.V.
			S.Janse	VISSERSDIJK 4
			DATE	4301 ND ZIERIKZEE
			22-04-2024	NETHERLANDS
REVISIONS	DATE	NAME		
REMARK:	TITLE: MASTER SLAVE		DWG	
		wire diagram		A3

