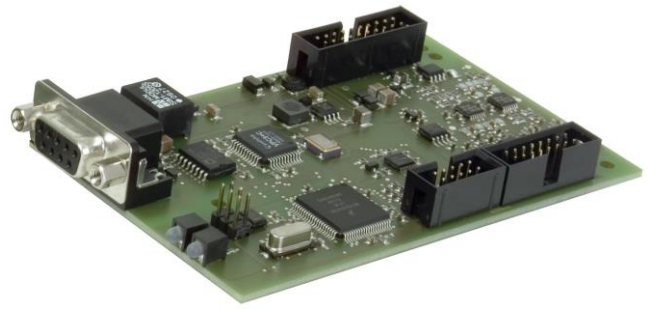




PSC-CAN card



PSC-PB card

PSC CAN - CANopen Power Supply Controller

Interface between CANopen Bus System and Power Supply

- CANopen standard
- Up to 1Mbit/s communication, baud rate dip switch selectable



PSC PB - PROFIBUS Power Supply Controller

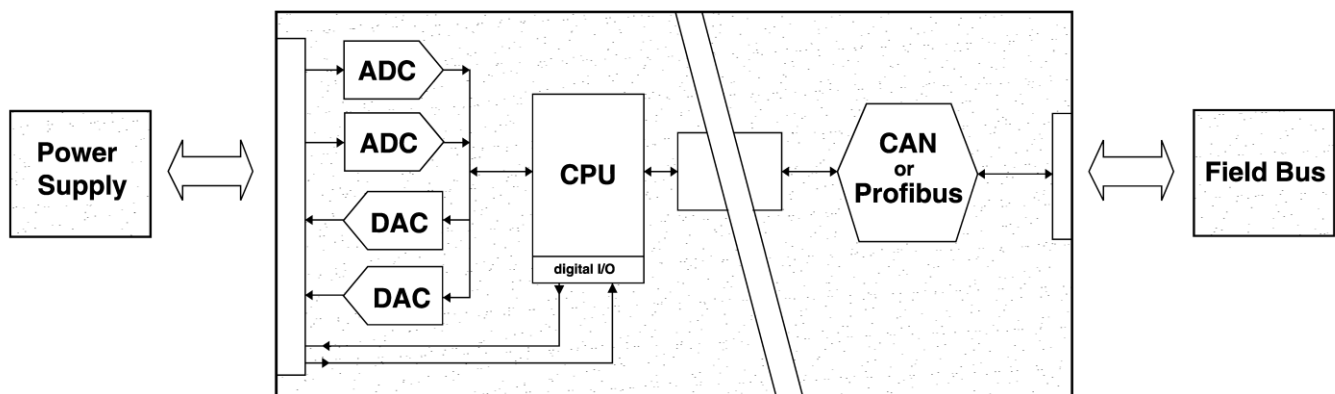
Interface between PROFIBUS DP Bus System and Power Supply

- PROFIBUS DP V0 standard
- Up to 12Mbit/s PROFIBUS DP communication



Features

- Node address setting selectable
- Read back of power supply status signals
- Voltage and current programming and monitoring
- Factory installed
- 14-bit resolution for voltage and current setting and read back
- Setting the power supply in Shut Down mode
- Programming and monitoring accuracy < 0.1 %



Output voltage and current setting and read back

- 14 bit resolution for setting the output voltage and current
- 14 bit resolution for read back (monitoring) of the output voltage and current
- Tc typical 15 ppm/K
- Full scale accuracy < 0.1 %
- Factory offset and full scale calibration in combination with power supply

Status monitoring

The following power supply statuses can be read: ACF, DCF, LIM, OT, PSOL and CC

- ACF = AC Fail
- DCF = DC Fail
- LIM = Voltage and current limit reached
- OT = Over temperature
- PSOL = Power Sink Overload
- CC = Constant Current mode

Controls

- The power supply can be set in RSD mode.
- RSD = Remote Shut Down: shuts down the output of the power supply.

CANopen features

- SYNC Object
- Emergency object
- Node guarding
- Heartbeat
- Expedited and Non expedited SDO transfer
- Node address range 1 - 127
- Baud rate setting range 10 kbit/s - 1 Mbit/s

PROFIBUS features

- Slave in a PROFIBUS-DP network
- DP-V0 standard according to IEC 61784 Ed. 1:2002 CPF 3/1
- PROFIBUS protocol according IEC 61158
- Slave address range 1 - 127

Insulation

Insulation of CANopen & PROFIBUS to Case is 60 VDC functional insulation. Both are at safety level of the 'minus' DC power terminal of the power supply they are build in.

Warning! Take extra safety precautions if the voltage between the 'minus' DC power terminal and PE (Protective Earth) is more than 60 VDC. Carefully read the application note "Safety" on the Delta Elektronika website for information about required earthing and extra safety measures.

Operation manuals

Download the Operating Manual in PDF-format from our website for [PROFIBUS](#) or [CANopen](#).

Ordering information

Models	Order Code	Description	Comments
ES150	Option P279	ES150 Series with Build-in PROFIBUS card	Analog programming connector removed
ES150	Option P280	ES150 Series with Build-in CANopen Card	Analog programming connector removed
ES300	Option P281	ES300 Series with Build-in PROFIBUS card	Analog programming connector removed
ES300	Option P282	ES300 Series with Build-in CANopen Card	Analog programming connector removed
SM800	Option P271	SM800 Series with Build-in PROFIBUS Card	Analog programming connector still available
SM800	Option P272	SM800 Series with Build-in CANopen Card	Analog programming connector still available
SM1500N	Option P273	SM1500N Series with Build-in PROFIBUS Card	Analog programming connector still available
SM1500N	Option P274	SM1500N Series with Build-in CANopen Card	Analog programming connector still available