

**U - series**

**• 5 U 15-15**

# Safety Instructions

## Caution

The following safety precautions must be observed during all phases of operation, service and repair of this equipment. Failure to comply with the safety precautions or warnings in this document violates safety standards of design, manufacture and intended use of this equipment and may impair the built-in protections within.

Delta Elektronika shall not be liable for user's failure to comply with these requirements.

## Installation Category

The Delta Elektronika power supplies have been evaluated to installation category II. (Over voltage category II)

## Safety Class

This product is a safety Class II instrument. No grounding is required.

## Input Ratings

Do not use an AC Supply which exceeds the input voltage and frequency rating of this instrument. The input voltage and frequency rating of the Delta Elektronika power supply series are stated in the accompanying datasheet.

## Live Circuits

Operating personnel must not remove the instrument cover. No internal adjustment or component replacement is allowed by non Delta Elektronika qualified personnel. Never replace components with the power cable connected. To avoid injuries, always disconnect power, discharge circuits and remove external voltage sources before touching components.

## Parts Substitutions & Modifications

Parts substitutions and modifications are allowed by authorized Delta Elektronika service personnel only. For repairs or modifications the unit must be returned to a Delta Elektronika service facility.

## Environmental Conditions

The Delta Elektronika power supplies safety approval applies to the following operating conditions:

Indoor use

Ambient temperature : -20 to 50 °C

Maximum relative humidity : 95%, non condensing, up to 40 °C

: 75%, non condensing, up to 50 °C

Altitude: up to 2000 m

Pollution degree 2



*Caution risk of electrical Shock*



*Instruction manual symbol. The instrument will be marked with this symbol when it is necessary for the user to refer to the instruction manual*



*Protective ground conductor terminal*

**O** *Off (supply)*

**I** *On (Supply)*

## WEEE

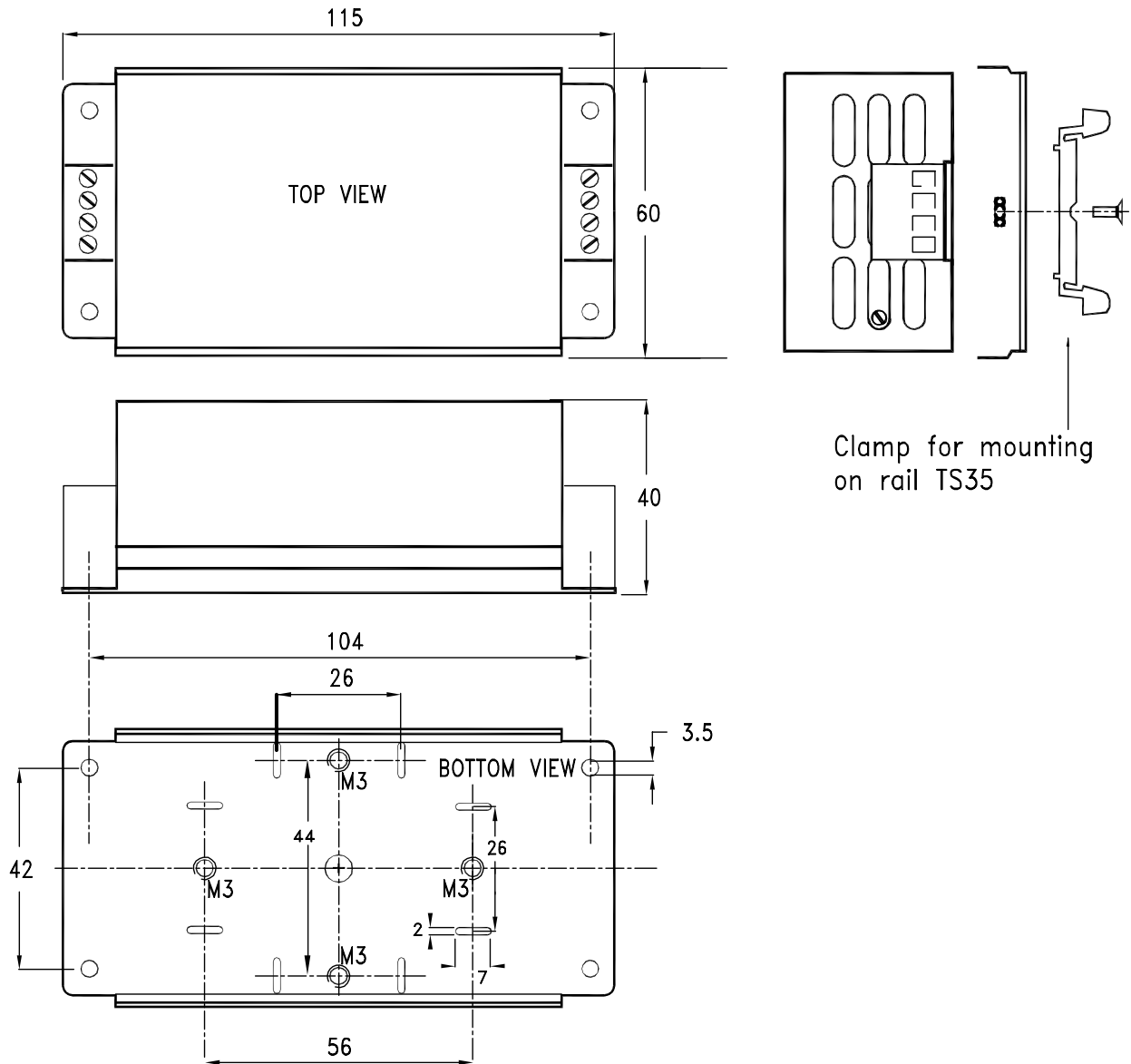
### (Waste Electrical & Electronic Equipment)

### Correct Disposal of this Product

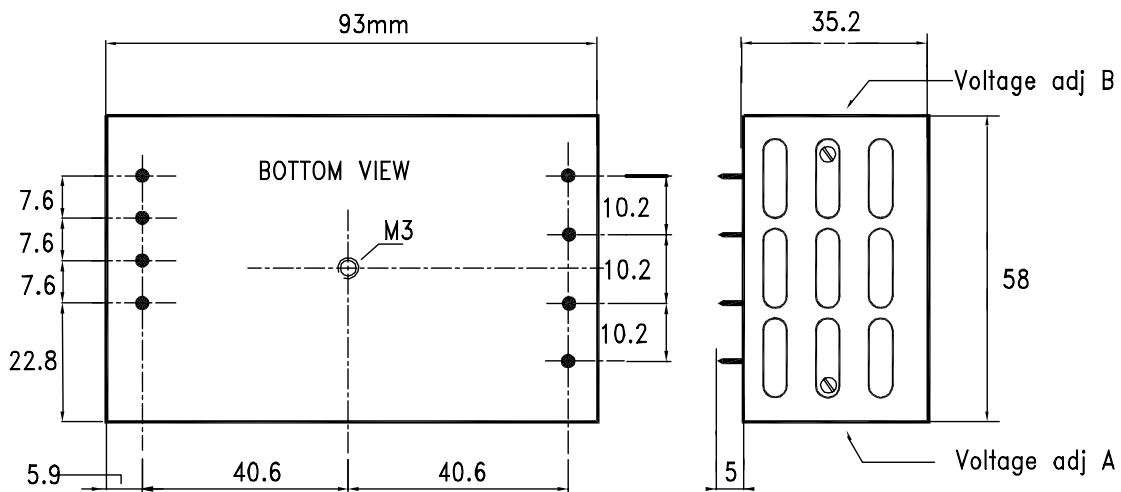
Applicable in the European Union.



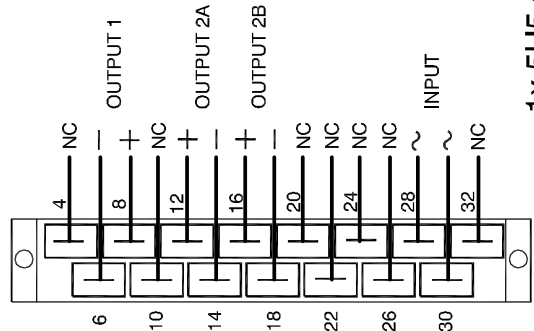
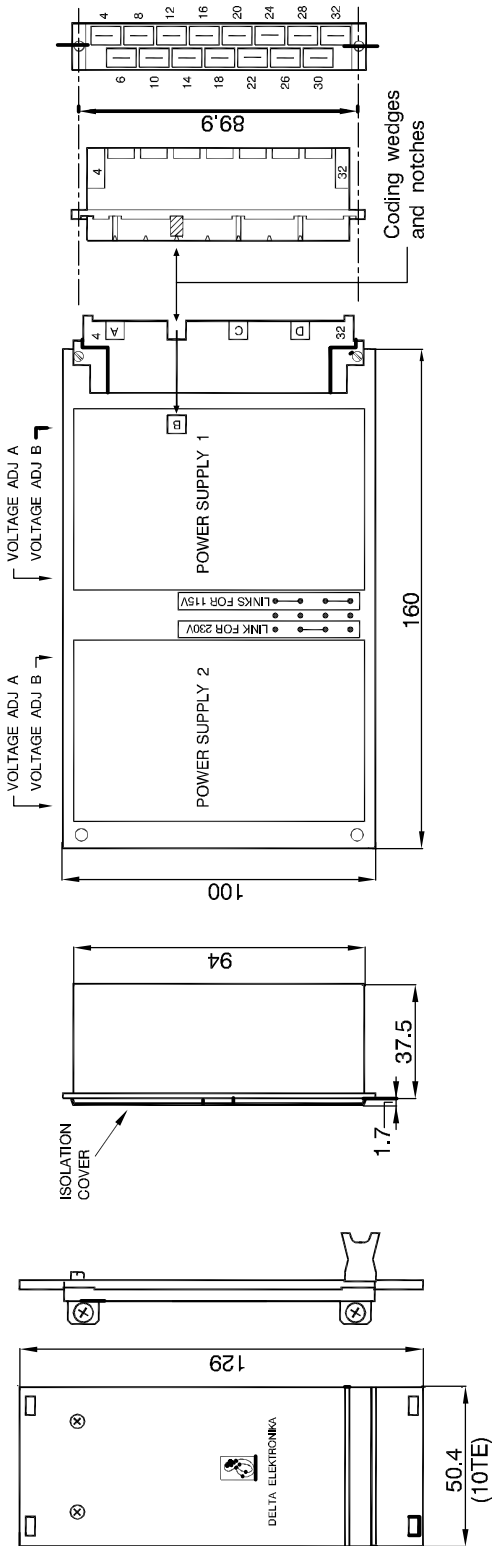
This marking shown on the product, its packing or its literature indicates that it should not be disposed with other wastes at the end of its working life, but should be collected separately to recycle it responsibly to promote the sustainable reuse of material resources.



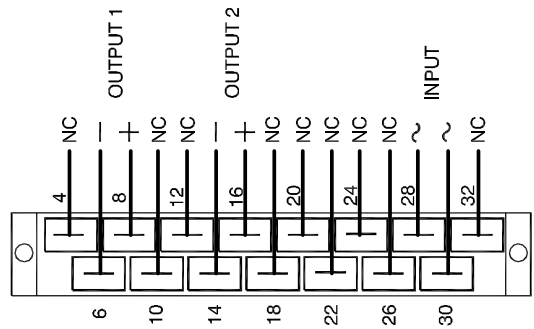
5U15-15B for wall mounting.



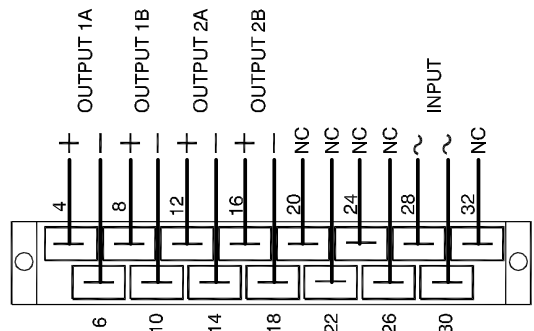
5U15-15 for PCB mounting.



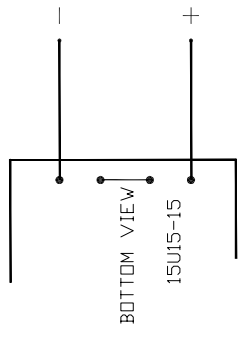
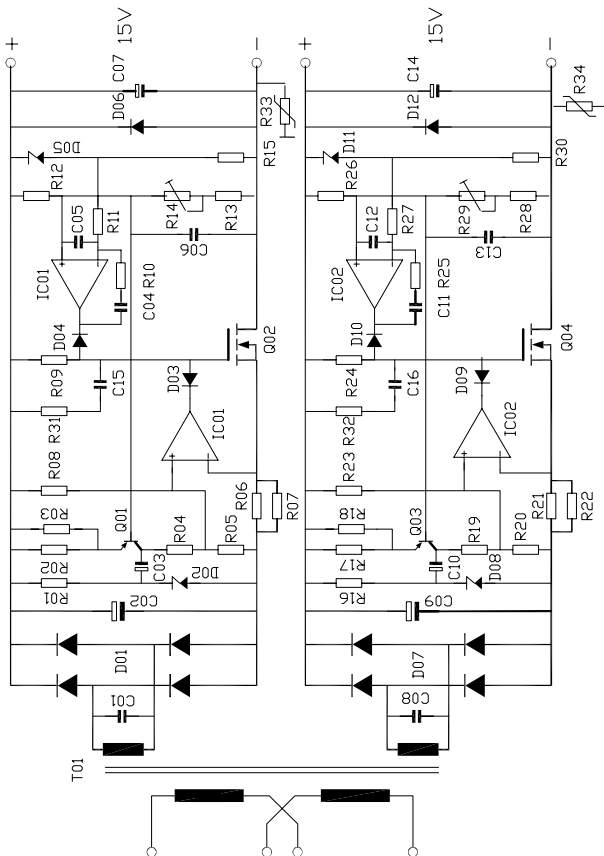
1x 5U5 and  
1x 5U15-15



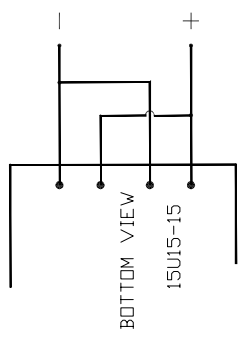
2x 5U5



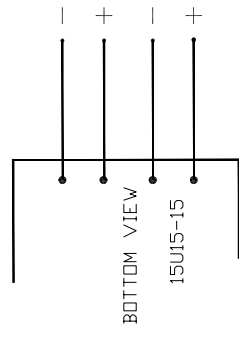
2x 5U15-15



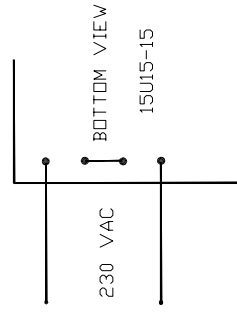
One output 24-30V 0,2A



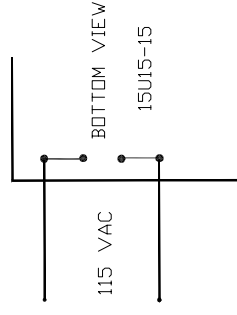
One output 12-15V 0,4A



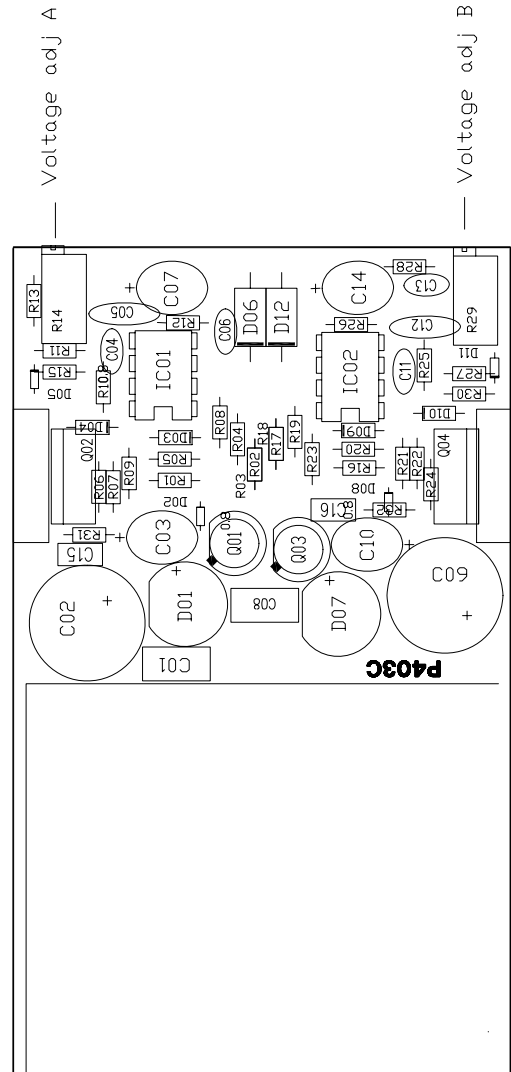
Two isolated outputs each 12-15V 0,2A



Connections for 230 VAC input



Connections for 115 VAC input





## EC Declaration of Conformity

We

Delta Elektronika  
P.O. BOX 27  
4300 AA ZIERIKZEE  
The Netherlands

declare under sole responsibility that the following Power Supplies:

**5 U 5**  
**5 U 15-15**  
**UCS 50**

meet the intent of Directives 2004/108/EC; 92/31/EEC; 93/68/EEC for Electromagnetic Compatibility and Directives 73/23/EEC; 93/68/EEC regarding Electrical Safety. (Low Voltage Directive)  
Compliance was demonstrated to the following specification as listed in the official Journal of the European Communities:

**EN 61204-3 EMC, low voltage power supplies**

**EN 61000-6-3 Generic Emissions:** (residential, light industrial)

EN 55022 Radiated and conducted, Class **B**  
EN 61000-3-2 Power Harmonics  
EN 61000-3-3 Voltage fluctuation and flicker

**EN 61000-6-1 Generic Immunity:** (residential, light industrial)

EN 61000-4-2 Electrostatic Discharge  
EN 61000-4-3 Radiated electromagnetic fields  
EN 61000-4-4 Electrical Fast Transients / Bursts  
EN 61000-4-5 Surge on DC output  
EN 61000-4-5 Surge on line input  
EN 61000-4-6 RF common mode, conducted  
EN 61000-4-11 Voltage variations and dips

**EN 60950 Safety of IT equipment**

**EN 61010 Safety of electrical equipment for measurement, control and laboratory use**

Managing director