

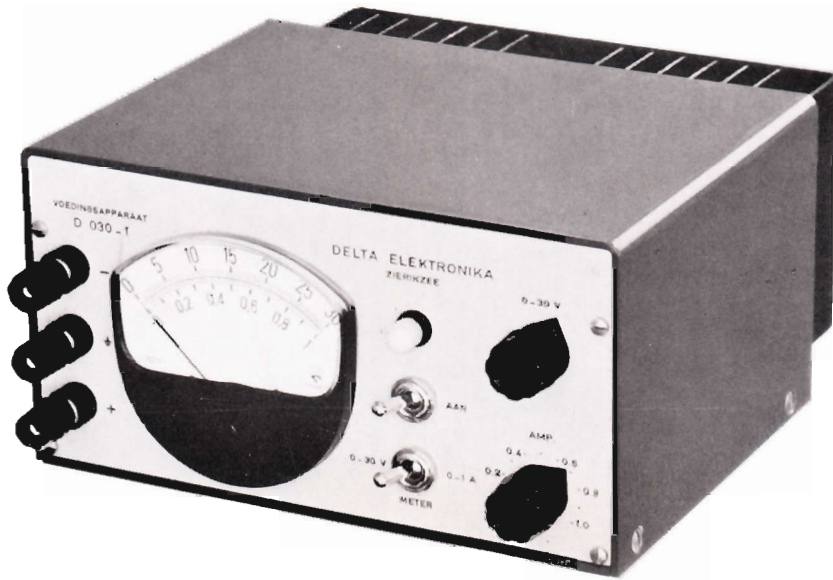


Delta Elektronika bv. Vissersdijk 4, 4301 ND Zierikzee  
Tel.: +31 111 413656, email: support@delta-elektronika.nl



# n.v. delta elektronika

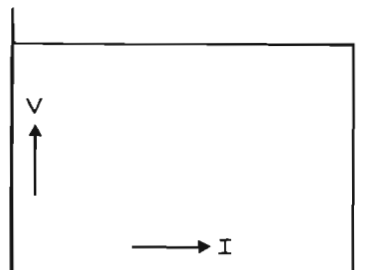
nieuwe boogerdstraat 2 zierikzee holland telefoon (01110) 2734



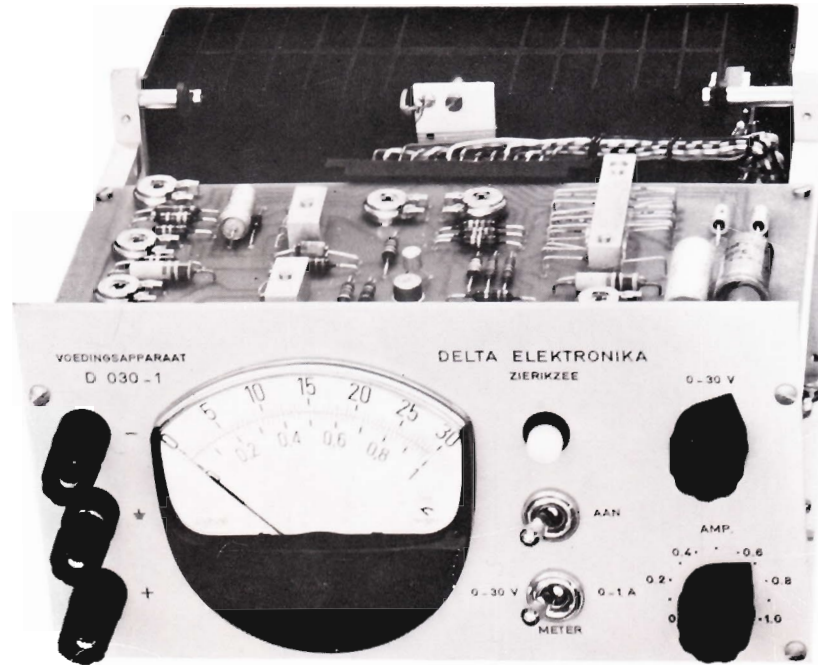
## REGULATED POWER SUPPLIES

0 - 15 V	0 - 1.5 A	Model D 015 - 1.5
0 - 30 V	0 - 1 A	Model D 030 - 1
0 - 50 V	0 - 0.5 A	Model D 050 - 0.5

- Voltage and current regulated
- Silicon transistors
- 10-turn potentiometer for voltage control
- Voltage and current programming
- Output terminals are provided at the front and rear panels, and are isolated from the case
- Parallel and series operation into all load conditions
- Constant voltage regulation changes sharply into constant current regulation
- Fully protected against all overload conditions.



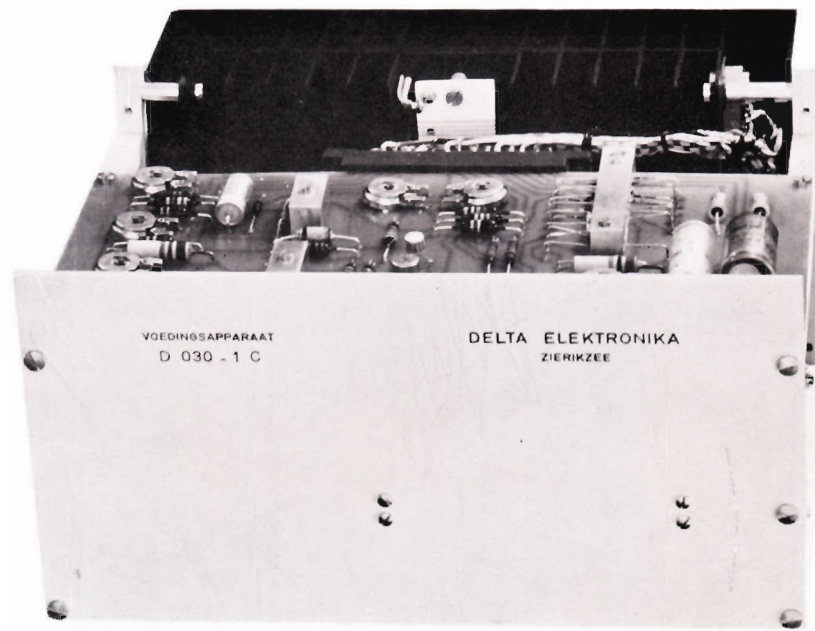
## MODEL B



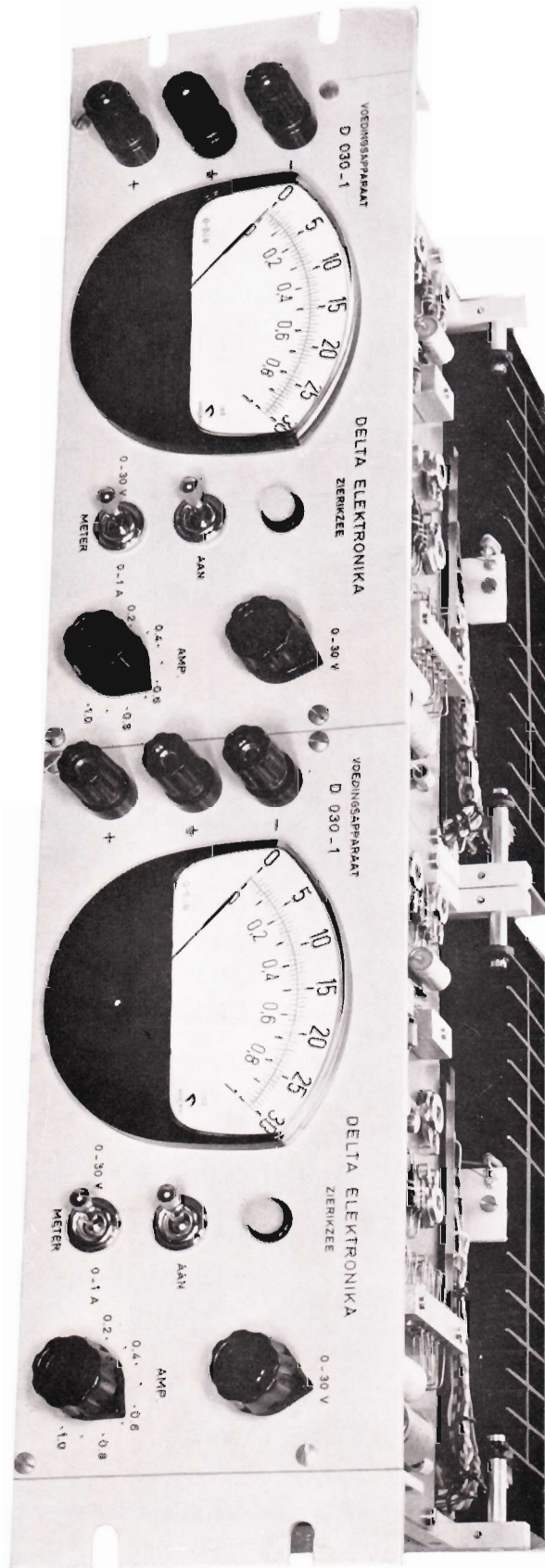
## SPECIFICATION

<b>Remote programming</b>	Voltage and current can be programmed by external variable resistors of 0-5000 Ohms which can be connected at the rear panel.
<b>Voltage regulation</b>	The output voltage changes less than + or - 3 mV for a AC line voltage variation of + or - 10 % and less than + or - 10 mV for a maximum load change.
<b>Current regulation</b>	The output current changes less than + or - 1 mA for a AC line voltage variation of + or - 10 % and less than + or - 5 mA for a maximum load change.
<b>Ripple voltage</b>	Less than 0.1 mV r.m.s. at voltage regulation.
<b>Ripple current</b>	Less than 0.05 mA r.m.s. at current regulation.
<b>Output impedance</b>	Less than 100 milli-ohms at 100 kHz load frequency.
<b>Temperature coefficient</b>	The temperature coefficient of the constant voltage is less than + or - 0.03 % per °C.

## MODEL C



<b>Cooling</b>	By natural convection through a vertically mounted heatsink. Air must flow freely through the heatsink which has a maximum heat dissipation of 40 watts at the lowest output voltage and largest current working condition.
<b>Model types</b>	These types are available for each of the three models; when ordering suffix the model type number with the appropriate letter. Type A is a bench model with case. Type B is uncased. Type C is uncased and has no meter or front panel controls.
<b>Input voltage</b>	110 – 130 – 200 – 220 – 240 V, 50 – 60 Hz, by changing the solder connections on the transformer.
<b>Weight</b>	Model A 5.4 kgs Model B 4.5 kgs Model C 4.1 kgs
<b>Dimensions</b>	215 x 110 x 221 mm (width x height x depth) without case.



Two units can be mounted side by side and with the addition of two H1 brackets can be inserted in a 19" rack.

R (Ohm)			C (microfarad)		
D 015-1,5	D 030-1	D 050-0,5	1 = 250	15 V	
1 = 15 k			2 = 50	70 V	
2 = 100 k			3 = 0,0033	500 V	
3 = 1 m var.			4 = 10	100 V	
4 = 1 k (1 W)			5 = 2500	70 V	
5 = 680 2% MF	470 2% MF	330 2% MF	6 = 10	100 V	
6 = 82			7 = 500	70 V	
7 =			8 = 0,22	250 V	
8 = CR 2% MF			in D 050-0,5 is		
9 = CR 2% MF			C 5	2500	100 V
10 = CR			D		
11 = 100 k			1 = TS 2	DI	
12 = 12 k			2 = TS 2	DI	
13 = 18 k			3 = ZG 6,8	Intermet.	
14 = 1 k var.			4 = ZG 6,8	Intermet.	
15 = 10 k var.			5 = ZG 6,8	Intermet.	
16 = 820			6 = MR 1031 B	Motorola	
17 = 100			7 = MR 1031 B	Motorola	
18 = 4,7 k			8 = MR 1031 B	Motorola	
19 = 3,3 k			9 = MR 1031 B	Motorola	
20 = 220			10 = MR 1031 B	Motorola	
21 = 8,2 k			11 = MR 1031 B	Motorola	
22 = 22 k					
23 = 1 k var.					
24 = 470 (1 W)	1,5 k (1 W)	4,7 k (1 W)			
25 = 100 k					
26 = 1 m var.					
27 = 8,2 k					
28 = CR					
29 = 15 k 2% MF	30 k 2% MF	50 k 2% MF			
30 = 1 k var.					
31 = 2,7 k 25 W	4 (25 W)	8 (25 W)			
32 = 1,5 k (5 W)					
33 = 5 k potm.)	) only in model A and B				
34 = 5 k 10 turn potm.)					
35 = 820					
36 = 82					

T

1 = 2N3055	RCA
2 = 2N3053	RCA
3 = BC 182 A	TI
4 = BC 182 A	TI
5 = BC 182 A	TI
6 = BC 182 A	TI
7 = BC 182 A	TI
8 = 2N3053	RCA

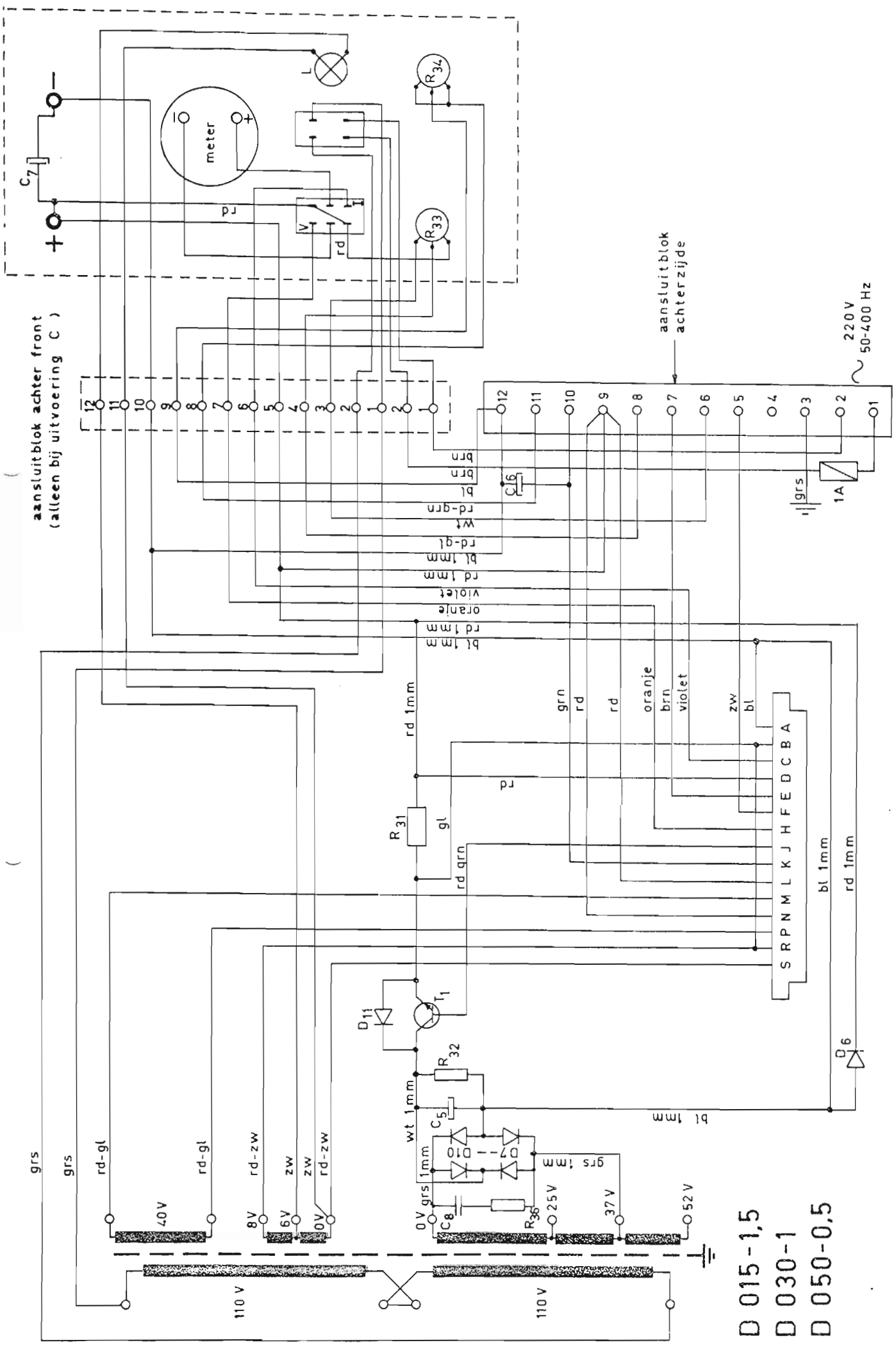
Ref. = Reference unit with low temp. coeff.

MF = Metal film resistor

CR = Calibration resistor

L = Liliput Telefonlampe  
6 V 0,04 A  
Taunuslicht

H 1 = Bracket for rack mounting



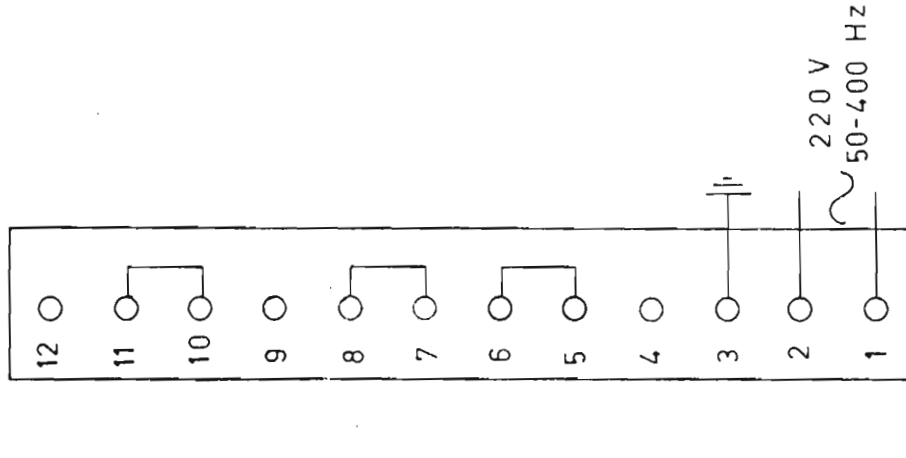
aansluitblok achter front  
(alleen bij uitvoering C)

aansluitblok  
achterzijde

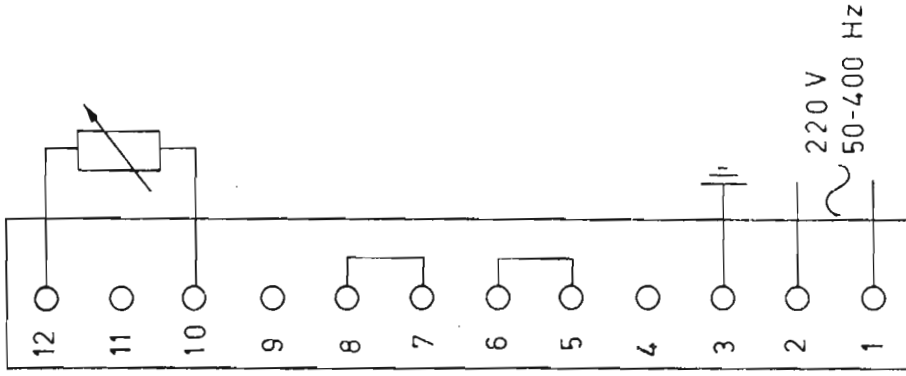
220V  
50-400 Hz

D 015-1,5  
D 030-1  
D 050-0,5

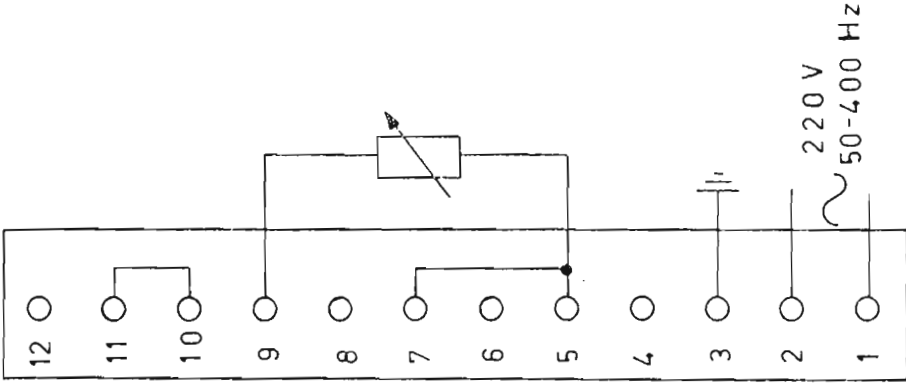
MOGELIJKHEDEN VAN PROGRAMMERING:  
 VOOR DE TYPEN D 015-1,5, D 030-1 en D 050-0,5



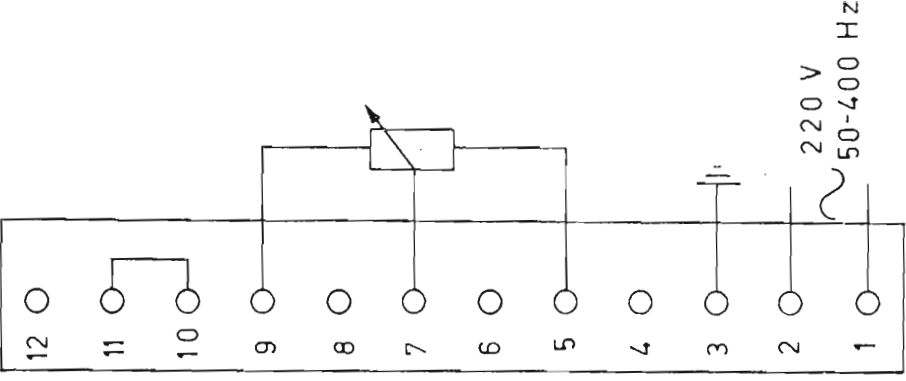
spannings- en  
 stroominstelling  
 inwendig



spanningsinstelling  
 uitwendig met var.  
 weerstand 0-5 K $\Omega$



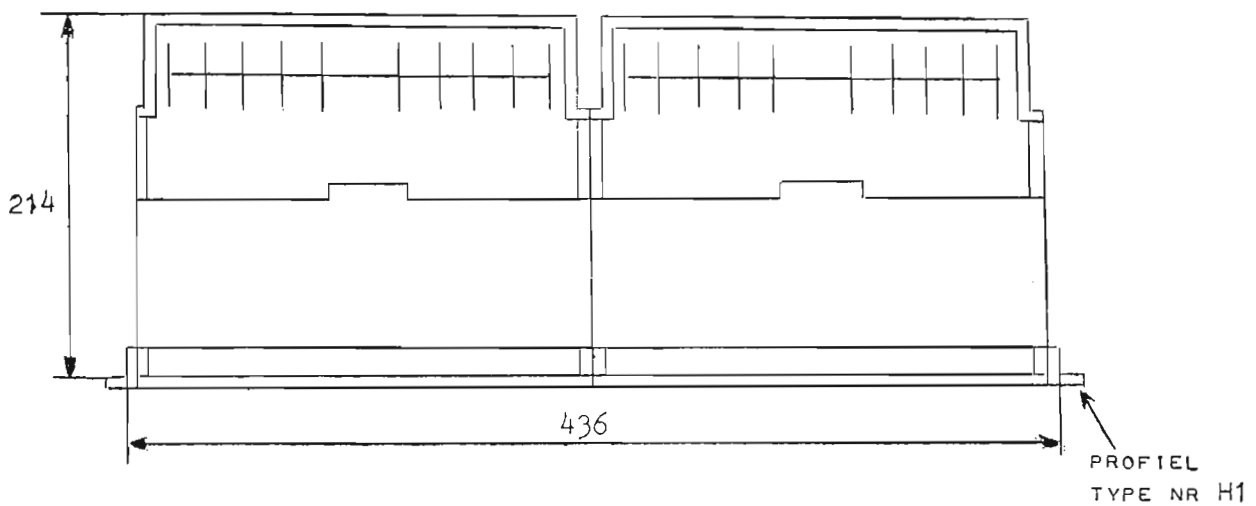
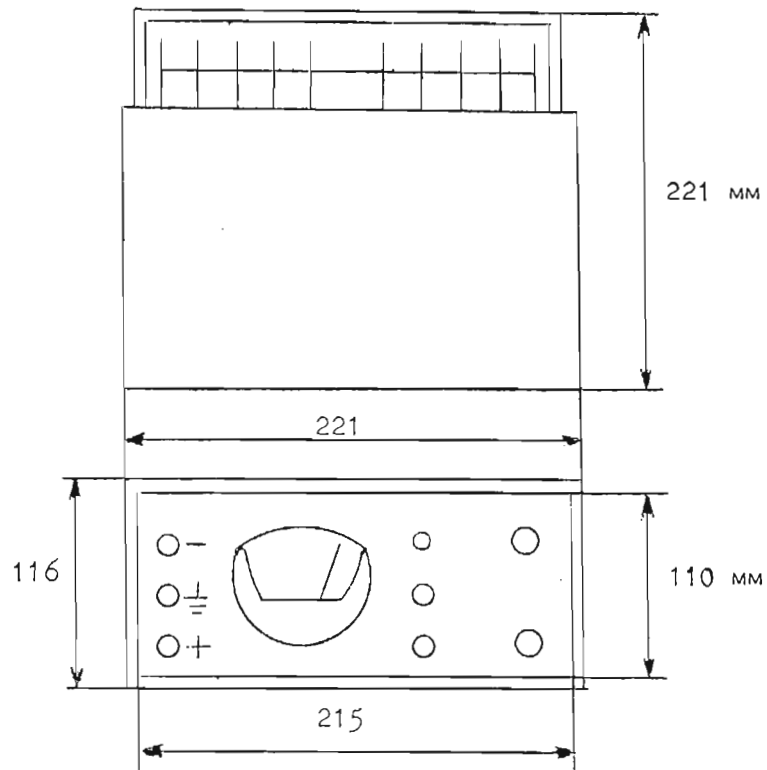
stroominstelling  
 uitwendig met var.  
 weerstand 0-5 K $\Omega$



stroominstelling  
 uitwendig met  
 pot. meter 5 K $\Omega$   
 (betere lineariteit)

opmerking: bij uitvoering C zowel voor stroom- als voor spanningsinstelling weerstanden aanbrengen

D 015-1,5, D 030-1 EN D 050-0,5



TOEPASSING VOOR 19 INCH REK.